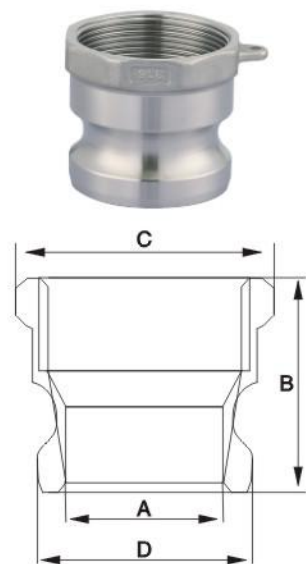




快装接头Quick connector

A型：一边是卡在母头里的接头，一边是内螺纹的连接丝口

Type A: one side is stuck in the mother, head of the joint part is the internal thread connecting wire



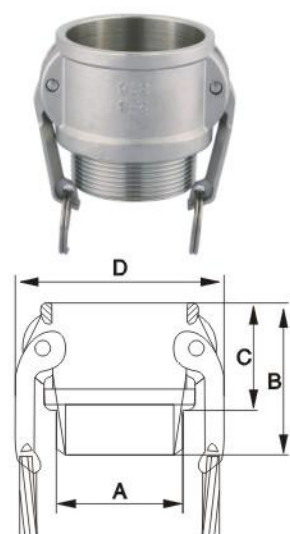
快速接头A型
Quick Joint Type A

主要外形尺寸 Main outer size

SIZE	DIM	A	B	C	D
15	1/2	14.5	36	26	24
20	3/4	21	39.5	31	31.3
25	1	24	45.5	39	26.3
32	1 ^{1/4}	30	54	48	45.3
40	1 ^{1/2}	38	55	54	53
50	2	47	60	66	63
65	1/2	59	72	82	75.3
80	3	76	69	95	91.3
100	4	102	72	122	119
125	5	127	72	150	145
150	6	154	72	178	175

B型：一边是带两个拉耳卡公头的凹槽，一边是外螺纹的丝口

Type B: on one side is to take two male head of grooves and silk mouth on one side is male



快速接头B型
Quick Joint Type B

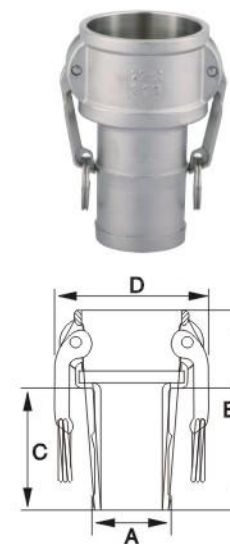
主要外形尺寸 Main outer size

SIZE	DIM	A	B	C	D
15	1/2	20.9	45	29	42
20	3/4	26.4	50	34	52
25	1	33.2	58	39	58
32	1 ^{1/4}	41.9	66	45	72
40	1 ^{1/2}	47.8	66	45	78
50	2	59.6	72	51	93
65	1/2	75.2	79	52	107
80	3	87.9	85	55	130
100	4	113	87	57	158
125	5	138.4	91	58	188
150	6	163.8	94	58	225

快装接头Quick connector

C型：一边是带两个拉耳卡公头的凹槽，一边是有竹节状的软管接头

Type C: one side is to take two male head of groove and one side is a bamboo-like hose connection



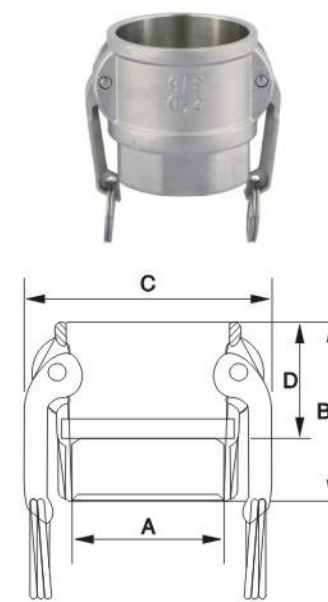
快速接头C型
Quick Joint Type C

主要外形尺寸 Main outer size

SIZE	DIM	A	B	C	D
15	1/2	14	65	36	42
20	3/4	20	82	48	52
25	1	25	96	57	58
32	1 ^{1/4}	32	110	65	72
40	1 ^{1/2}	38	115	70	78
50	2	51	126	75	93
65	1/2	65	134	82	107
80	3	76	148	93	130
100	4	102	154	97	158
125	5	128	169	111	188
150	6	154	196	139	225

D型：一边是带两个拉耳卡公头的凹槽，一边是有内螺纹连接的丝口

Type D: one side is to take two male head of groove and one side is a female connection wire



快速接头D型
Quick Joint Type D

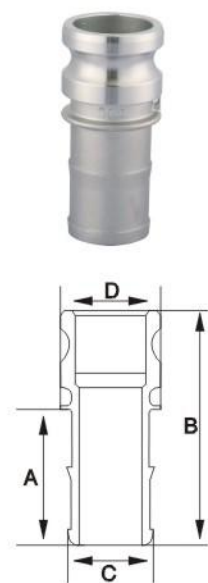
主要外形尺寸 Main outer size

SIZE	DIM	A	B	C	D
15	1/2	18.6	44	42	29
20	3/4	24.1	49	52	34
25	1	30.3	59	58	39
32	1 ^{1/4}	38.9	64	72	45
40	1 ^{1/2}	44.8	66	78	45
50	2	56.6	74	93	51
65	1/2	72.2	79	107	52
80	3	85	83	130	55
100	4	110	89	158	57
125	5	135.4	91	188	58
150	6	161	93	225	58

快装接头Quick connector

E型：一边是卡在母头里的接头，一边是带有竹节状的软管接头

Type E: one side is stuck in the mother, the head of the joint on one side is with bamboo-like hose connection



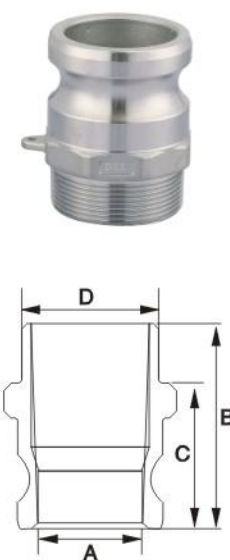
快速接头E型
Quick Joint Type E

主要外形尺寸 Main outer size

SIZE	DIM	A	B	C	D
15	1/2	36	73	14	24
20	3/4	48	86	20	31.3
25	1	57	101	25	26.3
32	1 ^{1/4}	64	116	32	45.3
40	1 ^{1/2}	70	125	38	53
50	2	76	137	51	67
65	1/2	80	144	65	75.3
80	3	92	158	76	91.3
100	4	98	165	102	119
125	5	111	183	128	145
150	6	139	212	154	175

F型：一边是卡在母头里的接头，一边是带有外螺纹连接的丝扣

Type F: one side is stuck in the mother's head joint, one side is the hose connection with external thread connection



快速接头F型
Quick Joint Type F

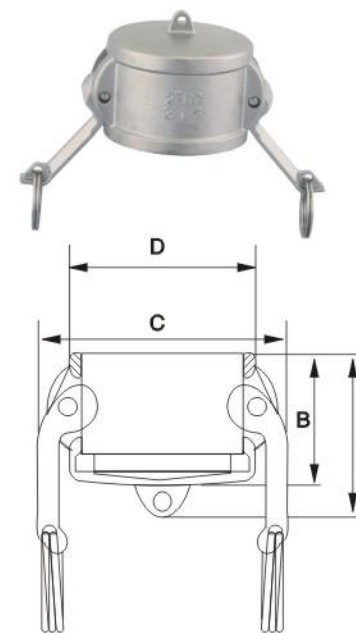
主要外形尺寸 Main outer size

SIZE	DIM	A	B	C	D
15	1/2	14.5	51	36	20.9
20	3/4	21	53	39.5	26.4
25	1	24	63	45.5	33.2
32	1 ^{1/4}	30	72	54	41.9
40	1 ^{1/2}	38	74	55	47.8
50	2	47	80	60	59.6
65	1/2	59	89	72	75.2
80	3	76	96	69	87.9
100	4	102	102	72	113
125	5	127	104	72	138.4
150	6	154	108	72	163.8

快装接头Quick connector

DC型：是带两个拉耳可以，卡进公头圆形堵头

DC: is two ears can card brought into male head round plug



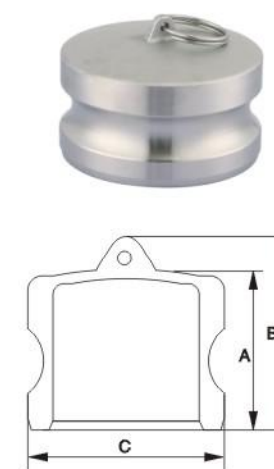
快速接头DC型
Quick Joint Type DC

主要外形尺寸 Main outer size

SIZE	DIM	A	B	C	D
15	1/2	38	30	42	32
20	3/4	44	35	52	39
25	1	49	40	58	44
32	1 ^{1/4}	57	47	72	55
40	1 ^{1/2}	59	48	78	63
50	2	65	57	93	74
65	1/2	70	58	107	87
80	3	71	59	130	105
100	4	72	60	158	132
125	5	73	62	188	161
150	6	77	62	225	191

DP型：是一个圆型堵头，也叫快装堵头

DP model: is a circular plug, also called the quick plug

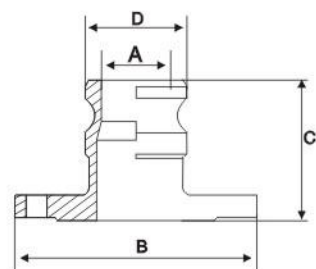


快速接头DP型
Quick Joint Type DP

主要外形尺寸 Main outer size

SIZE	DIM	A	B	C
15	1/2	28	36	24
20	3/4	31	39	31.3
25	1	35	45	26.3
32	1 ^{1/4}	42	52	45.3
40	1 ^{1/2}	45	55	53
50	2	51	63	63
65	1/2	53	64	75.3
80	3	56	68	91.3
100	4	58	73	119
125	5	67	80	145
150	6	67	80	175

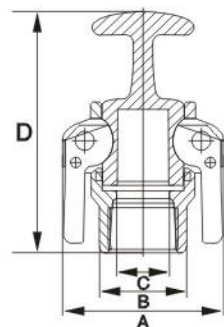
快装接头Quick connector



带法兰阳端快速接头
A type with flange

主要外形尺寸 Main outer size

SIZE	DIM	A	B	C	D
15	1/2	14.5	36	26	24
20	3/4	21	39.5	31	31.3
25	1	24	45.5	39	26.3
32	1 ^{1/4}	30	54	48	45.3
40	1 ^{1/2}	38	55	54	53
50	2	47	60	66	63
65	1/2	59	72	82	75.3
80	3	76	69	95	91.3
100	4	102	72	122	119
125	5	127	72	150	145
150	6	154	72	178	175

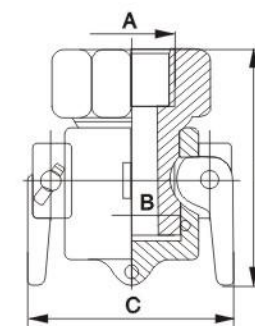


快速接头KJB型
Quick Joint Type KJB

快速接头KJB型 主要外形尺寸 Main outer size

SIZE	DIM	A	B	C	D
25	1	74	38	30.3	105
50	2	104	67	56.6	134

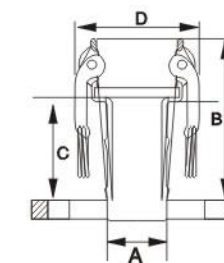
快装接头Quick connector



快速接头KJA型
Quick Joint Type KJA

快速接头KJA型 主要外形尺寸 Main outer size

SIZE	DIM	A	B	C	D
25	1	30.3	38	80	74
50	2	56.6	65	91	104



带法兰阴端快速接头
C type with flange

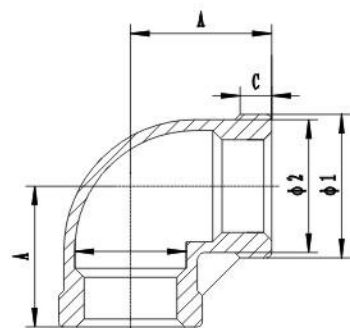
主要外形尺寸 Main outer size

SIZE	DIM	A	B	C	D
15	1/2	14	65	36	42
20	3/4	20	82	48	52
25	1	25	96	57	58
32	1 ^{1/4}	32	110	65	72
40	1 ^{1/2}	38	115	70	78
50	2	51	126	75	93
65	1/2	65	134	82	107
80	3	76	148	93	130
100	4	102	154	97	158
125	5	128	169	111	188
150	6	154	196	139	225





90° 弯头
90° Elbow



主要外形尺寸 Main outer size

SIZE	φ1	φ2	C	A
1/8	13.9	12.2	5.5	17
1/4	16.9	14.9	6	19
3/8	20.2	18.4	6	23
1/2	26.9	24.9	6	27
3/4	31.9	29.9	7	31.5
1	39.9	37.9	8	36.5
1 1/4	48.9	46.4	9	42.5
1 1/2	55.4	52.9	10	47.5
2	67.4	64.9	11	56
2 1/2	84.5	82	13	68
3"	98.5	95.5	15	77.5

主要外形尺寸 Main outer size

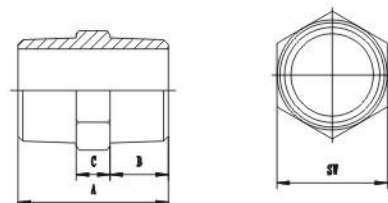
SIZE	φ1	φ2	C	A
1/8	13.9	12.2	5.5	17
1/4	16.9	14.9	6	19
3/8	20.2	18.4	6	23
1/2	26.9	24.9	6	27
3/4	31.9	29.9	7	31.5
1	39.9	37.9	8	36.5
1 1/4	48.9	46.4	9	42.5
1 1/2	55.4	52.9	10	47.5
2	67.4	64.9	11	56
2 1/2	84.5	82	13	68
3"	98.5	95.5	15	77.5

主要外形尺寸 Main outer size

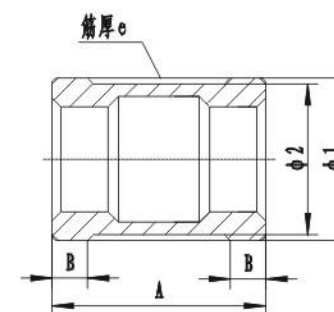
SIZE	A	B	C	SW	角数
1/8	28	11	6	13	6
1/4	32	13	6	15	6
3/8	37	15	7	19	6
1/2	42	17	8	23	6
3/4	45	18	9	29	6
1	49	19	11	36	8
1 1/4	54	21	12	45	8
1 1/2	56	22	12	51	8
2	65	26	13	63	8
2 1/2	76	31	14	78	8
3	80	33	14	92	8
4	86	36	14	117	8



六角外丝
Hexagon nipple



内丝
Socket banded



主要外形尺寸 Main outer size

SIZE	φ1	φ2	B	e	A
1/8	13.9	12.2	5.5	2.5	25
1/4	16.9	14.9	6	2.5	25
3/8	20.2	18.4	6	2.5	30
1/2	26.9	24.9	6	3	35
3/4	31.9	29.9	7	3	39
1	39.9	37.9	8	3	44
1 1/4	48.9	46.4	9	3.5	50
1 1/2	55.4	52.9	10	3.5	54
2	67.4	64.9	11	4	63
2 1/2	84.5	82	14	4	71.5
3	98.5	95.5	15	4.5	77
4	124	121	17	5	86

主要外形尺寸 Main outer size

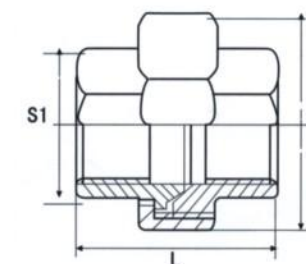
SIZE	L	S	S1
1/4	31	29*8	17*8
3/8	34	34*8	21*8
1/2	38	34*8	24*8
3/4	43	47*8	31*8
1"	49	53*8	38*8
1-1/4	51	64*8	47*8
1-1/2	54	70*8	53*8
2"	61	87.5*8	65*8
2-1/2	69.5	107*10	81*10
3"	82	120*10	94*10
4"	98	147*10	120*10

主要外形尺寸 Main outer size

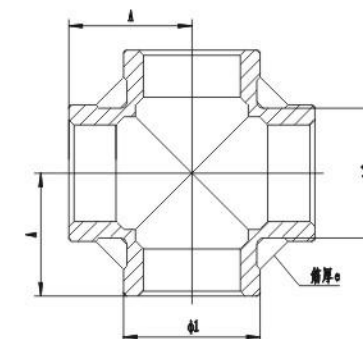
SIZE	φ1	φ2	E	A
1/8	13.9	12.2	2.5	17
1/4	16.9	14.9	2.5	19
3/8	20.2	18.4	2.5	23
1/2	26.9	24.9	3	27
3/4	31.9	29.9	3	31.5
1	39.9	37.9	3	36.5
1 1/4	48.9	46.4	3.5	42.5
1 1/2	55.4	52.9	3.5	47.5
2	67.4	64.9	4	56



活接
Union



四通
Cross

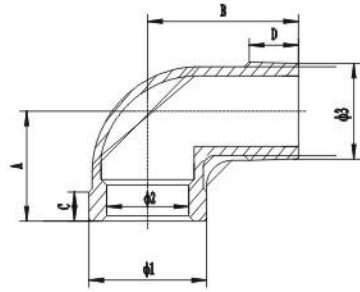


丝扣管件 Threaded fitting

主要外形尺寸 Main outer size



90° 内外丝弯头
90° Street Elbow

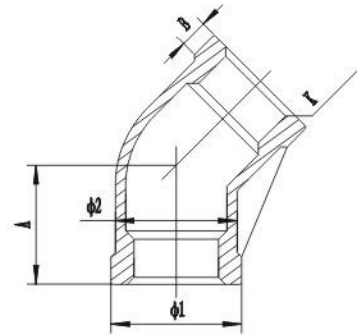


SIZE	φ1	φ2	φ4	A	B	C	D
1/8	13.9	8	10.2	17	24	5.5	7
1/4	16.9	10.7	13.5	20	28	6.5	10
3/8	20.2	14.2	17.2	23	32	7	10
1/2	26.9	17.8	21	28	37	7	13
3/4	31.9	22.8	26.6	32	43	8	15
1"	39.9	28.7	33.6	38	52	10	17
1 1/4	48.9	37.3	42.4	43	59	11	19
1 1/2	55.4	43.8	48.4	48	64	12	19
2"	67.4	55.3	60.3	57	74	13	24

主要外形尺寸 Main outer size



45° 弯头
Elbow 45°

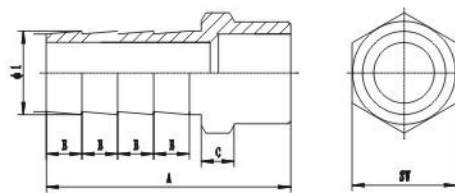


SIZE	φ1	φ2	A	B	K
1/2	26.9	24.9	21	3	1.5
3/4	31.9	29.9	25	7	1.5
1	39.9	37.9	29	8	1.5
1 1/4	48.9	46.4	33	9	2
1 1/2	55.4	52.9	37	10	2
2	67.4	64.9	42	11	2

主要外形尺寸 Main outer size



水管接头
Hose nipple



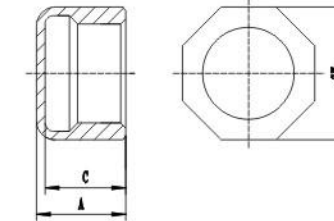
SIZE	φ1	A	C	E	SW	方数
1/8	8	38	6	5	12	6
1/4	8	42	6	5	15	6
3/8	10	48	7	5.5	19	6
1/2	14	60	8	8	23	6
3/4	19	65	9	9	29	6
1	26	75	11	10	36	8
1 1/4	32	84.5	12	12	45	8
1 1/2	38	90	12	13	51	8
2	51	99	13	14	63	8
2 1/2	63	106	12	15	78	8
3	76	114	12	16	92	8
4	102	124	14	17	118	8

丝扣管件 Threaded fitting

主要外形尺寸 Main outer size



六角管帽
Cap

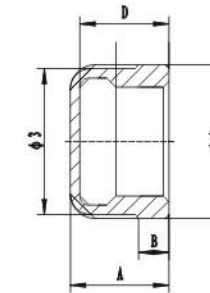


SIZE	A	C	SW	方数
1/8	15		12.8	6
1/4	15		15.5	6
3/8	16	9.5	19	6
1/2	20	11.5	26.5	6
3/4	22	14	31.5	8
1	26	15	38.5	8
1 1/4	28	17	47.5	8
1 1/2	32	17	54	8
2	34	25	66	8
4	44		121.5	8

主要外形尺寸 Main outer size



圆管帽
Cap

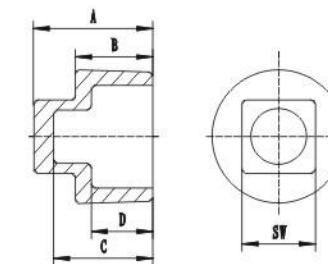


SIZE	φ3	φ4	A	B	D
1/8	12.2	13.9	15	5.5	12.6
1/4	14.9	16.9	15	6	12.6
3/8	18.4	20.2	16	6	13.6
1/2	24.9	26.9	20	6	17.5
3/4	29.9	31.9	22	7	19.5
1	37.9	39.9	26	8	23.5
1 1/4	46.4	48.9	28	9	25
1 1/2	52.9	55.4	30	10	26.5
2	64.9	67.4	34	11	30.5
2 1/2	80	84	39	13	35.5
3	94.5	98	42	15	38

主要外形尺寸 Main outer size



四角塞头
Square plug

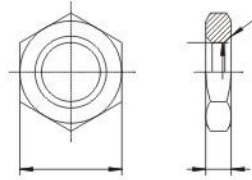


SIZE	A	B	C	D	SW
1/8	13	6.5	10.5	4.5	6
1/4	17.5	11	15	8.7	8
3/8	17.5	11	15	8.7	10
1/2	21	13	18.5	10.7	12
3/4	24	14.5	21	12.2	17
1	27.5	17	24.5	14.5	19
1 1/4	34	23	31	20.5	23
1 1/2	35.5	23.5	32.5	21	26
2	39.5	26.5	36	23.5	31.5
2 1/2	39	27	35	23.5	32
3	44	30	40	26	36

丝扣管件 Threaded fitting



六角螺母
Hexagon nut

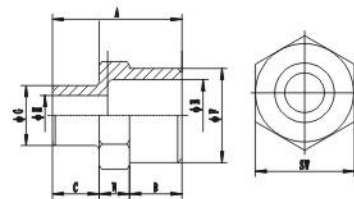


主要外形尺寸 Main outer size

Size	φ	H	SW	C	方数
1/8	8.5	5.7	19	1	6
1/4	11.4	5.8	21	1.5	6
3/8	14.8	6.8	25	1.5	6
1/2	18.5	7.5	31	2	6
3/4	24	8.5	35.5	2	6
1"	30.2	9.5	45	2.5	6
1 1/4	38.8	10	53	2.5	6
1 1/2	44.6	11.3	58	2.5	6
2"	55.4	12	71.5	2.5	6



异径六角外螺纹接头
Red.Hex.Nipple



主要外形尺寸 Main outer size

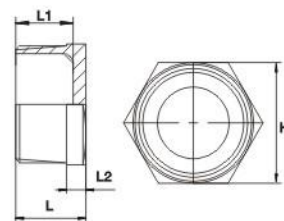
SIZE	A	B	C	SW	边数
1/4*1/8	30	13	6	15	6
3/8*1/8	33	15	7	19	6
3/8*1/4	35	15	7	19	6
1/2*1/4	38	17	8	23	6
1/2*3/8	40	18	8	23	6
3/4*1/4	40	18	9	29	6
3/4*3/8	42	19	9	29	6
3/4*1/2	44	18	9	29	6
1*3/8	45	19	11	36	8
1*1/2	47	19	11	36	8
1*3/4	48	19	11	36	8
1 1/4*1/2	50	21	12	45	8
1 1/4*3/4	51	21	12	45	8
1 1/4*1	52	21	12	45	8
1 1/2*1/2	51	22	12	51	8
1 1/2*3/4	52	22	12	51	8
1 1/2*1	53	22	12	51	8
1 1/2*1 1/4	55	22	12	51	8
2*1/2	56	26	13	63	8
2*3/4	57	26	13	63	8
2*1	58	26	13	63	8
2*1 1/4	60	26	13	63	8
2*1 1/2	61	26	13	63	8
2 1/2*1 1/2	67	31	14	78	8
2 1/2*2	71	31	14	78	8

主要外形尺寸 Main outer size

SIZE	L	L1	L2	H	边数
1/8	17		6	12	6
1/4	18	16	6	15	6
3/8	20	18	6	18	6
1/2	22	20	7	23	6
3/4	25	22.5	7	28	6
1	25.5	23	7.5	35	8
1 1/4	29	26	8	44	8
1 1/2	31	28	9	50	8
2	35	31.5	10	62	8

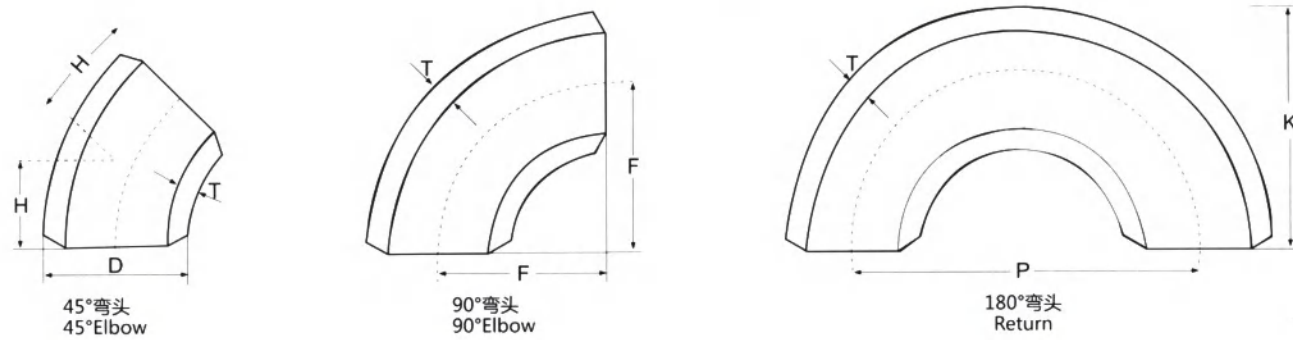


六角塞头
Hexagon plug



不锈钢无缝管件Stainless steel seamless fitting

ASME/ANSI B16.9、B16.28 对焊弯头 Butt-Welding Elbows and Returns

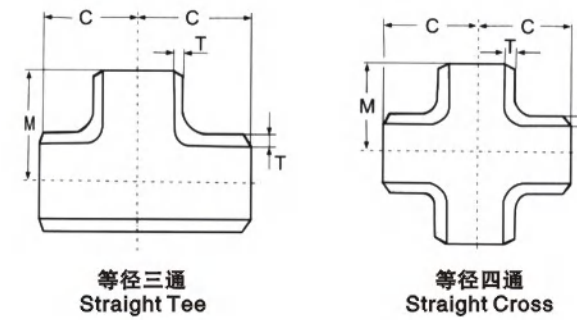


公称口径 Nominal Pipe Size DN	端部外径 Outside Diameter at Bevel D	中心至端面 Center to End			中心至中心 Center to Center		背面至端面 Back to Faces	
		45° 弯头 Elbows.	90° 弯头 Elbows.		180° 弯头 Return			
		H	F		P		K	
		长半径 Long Radius	长半径 Long Radius	短半径 Short Radius	长半径 Long Radius	短半径 Short Radius	长半径 Long Radius	短半径 Short Radius
1/2	21.3	15.7	38.1	-	76.2	-	47.8	-
3/4	26.7	19.1	38.1	-	76.2	-	50.8	-
1	33.4	22.4	38.1	25.4	76.2	50.8	55.6	41.1
1 1/4	42.2	25.4	47.8	31.8	95.3	63.6	69.9	52.3
1 1/2	48.3	28.4	57.2	38.1	114.3	76.2	82.6	62.0
2	60.3	35.1	76.2	50.8	152.4	101.6	106.6	81.0
2 1/2	73.0	44.5	95.3	63.5	190.5	127.0	131.8	100.1
3	88.9	50.8	114.3	76.2	228.6	152.4	158.8	120.7
3 1/2	101.6	57.2	133.4	88.9	266.7	177.8	184.2	139.7
4	114.3	63.5	152.4	101.6	304.8	203.2	209.6	158.8
5	141.3	79.2	190.5	127.0	381.0	254.0	261.9	196.9
6	168.3	95.3	228.6	152.4	457.2	304.8	312.7	236.5
8	219.1	127.0	304.8	203.2	609.6	406.4	414.3	312.7
10	273.1	158.8	381.0	254.0	762.0	508.0	517.7	390.7
12	323.9	190.5	457.2	304.8	914.4	609.6	619.3	466.9
14	355.6	222.3	533.4	355.6	1066.8	711.2	711.2	533.4
16	406.4	254.0	609.6	406.4	1219.2	812.8	812.8	609.6
18	457.2	285.8	685.8	457.2	1317.6	914.4	914.4	685.8
20	508.0	317.5	762.0	508.0	1524.0	1016.0	1016.0	762.0
22	558.8	342.9	838.2	558.8	1676.4	1117.6	1117.6	838.2
24	609.6	381.0	914.4	609.6	1828.8	1219.2	1219.2	914.4
26	660.4	406.0	990.6					
28	711.2	438.2	1066.8					
30	762.0	469.9	1143.0					
32	812.8	501.7	1219.2					
34	863.6	533.4	1295.4					
36	914.4	565.2	1371.6					
38	965.2	599.9	1447.8					
40	1016.0	632.0	1524.0					
42	1066.8	660.4	1600.2					
44	1117.6	695.5	1676.4					
46	1168.4	726.9	1752.6					
48	1219.2	758.9	1828.8					

注：表中长半径弯头取自ASME / ANSIB 16.9，短半径弯头取自ASME / ANSIB 16.28。
Note: From the table, the information of long-radius elbow takes from ASME/ANSIB 16.9 and the information of short-radius from ASME/ANSIB 16.28.

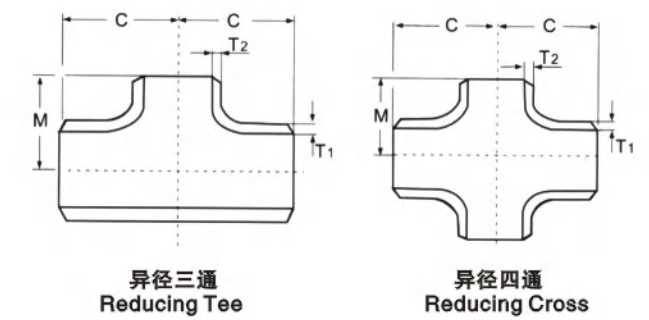
不锈钢无缝管件Stainless steel seamless fitting

ASME/ANSI B16.9 对焊等径三通、四通 Butt-Welding Straight Tee and Cross



公称口径 Nominal Pipe Size DN(in)	端部外径 Outside Diameter at Bevel	中心至端面 Center to End	
		T	C M
1/2	21.3	25.4	
3/4	26.7	28.4	
1	33.4	38.1	
1 1/4	42.2	47.8	
1 1/2	48.3	57.2	
2	60.3	63.5	
2 1/2	73.0	76.2	
3	88.9	85.9	
3 1/2	101.6	95.3	
4	114.3	104.6	
5	141.3	124.0	
6	168.3	142.7	
8	219.1	177.8	
10	273.1	215.9	
12	323.9	254.0	
14	355.6	279.4	
16	406.4	304.8	
18	457.2	342.9	
20	508.0	381.0	
22	558.8	419.1	
24	609.6	431.8	
26	660.4	495.3	
28	711.2	520.7	
30	762.0	558.8	
32	812.8	596.9	
34	863.6	635.0	
36	914.4	673.1	
38	965.2	711.2	
40	1016.0	749.3	
42	1066.8	726.0	711.2
44	1117.6	812.8	762.0
46	1168.4	850.9	800.1
48	1219.2	889.0	838.2

ASME/ANSI B16.9 对焊异径三通、四通 Butt-Welding Reducing Tee and Reducing Cross



公称口径 Nominal Pipe Size DN(in)	端部外径 Outside Diameter at Bevel	中心至端面 Center to End	
		T1xT2	C M
1/2 x 3/8	21.3x17.1	25.4	
1/2 x 1/4	21.3x13.7	25.4	
3/4 x 1/2	26.7x21.3	28.4	
3/4 x 3/8	26.7x17.1	28.4	
1 x 3/4	33.4x26.7	38.1	
1 x 1/2	33.4x21.3	38.1	
1 1/2 x 1	42.2x33.7	47.8	
1 1/4 x 3/4	42.2x26.7	47.8	
1 1/4 x 1/2	42.2x21.3	47.8	
1 1/2 x 1 1/4	48.3x42.2	57.2	
1 1/2 x 1	48.3x33.4	57.2	
1 1/2 x 3/4	48.3x26.7	57.2	
1 1/2 x 1/2	48.3x21.3	57.2	
2 x 1 1/2	60.3x48.3	63.5	60.5
2 x 1 1/4	60.3x42.2	63.5	57.2
2 x 1	60.3x33.4	63.5	50.8
2 x 3/4	60.3x26.7	63.5	44.5
2 1/2 x 2	73.0x60.3	76.2	69.9
2 1/2 x 1 1/2	73.0x48.3	76.2	66.5
2 1/2 x 1 1/4	73.0x42.2	76.2	63.5
2 1/2 x 1	73.0x33.4	76.2	57.2
3 x 2 1/2	88.9x73.0	85.9	82.6
3 x 2	88.9x60.3	85.9	76.2
3 x 1 1/2	88.9x48.3	85.9	73.2
3 x 1 1/4	88.9x42.2	85.9	69.9
3 1/2 x 3	101.6x88.9	95.3	91.9
3 1/2 x 2 1/2	101.6x73.0	95.3	88.9
3 1/2 x 2	101.6x60.3	95.3	82.6
3 1/2 x 1 1/2	101.6x48.3	95.3	79.2
4 x 3 1/2	114.3x101.6	104.6	101.6
4 x 3	114.3x88.9	104.6	98.6
4 x 2 1/2	114.3x73.0	104.6	95.3
4 x 2	114.3x60.3	104.6	88.9

不锈钢无缝管件Stainless steel seamless fitting

ASME/ANSI B16.9 对焊异径三通、四通 Butt-Welding Reducing tee and Reducing Cross

公称通径 Nominal Pipe Size DN(In)	端部外径 Outside Diameter at Bevel	中心至端面 Center to End		
		T1xT2	C M	
4x11/2	114.3x48.3	104.6	85.9	
5x4	141.3x114.3	124.0	117.3	
5x31/2	141.3x106.6		114.3	
5x3	141.3x88.9		111.3	
5x21/2	141.3x73.0		108.0	
5x2	141.3x60.3		104.6	
6x5	168.3x141.3		142.7	136.7
6x4	168.3x114.3	130.0		
6x31/2	168.3x101.6	127.0		
6x3	168.3x88.9	124.0		
6x21/2	168.3x73.0	120.7		
8x6	219.1x168.3	177.8		168.1
8x5	219.1x141.3		162.1	
8x4	219.1x114.3		155.4	
8x31/2	219.3x101.6		152.4	
10x8	273.1x219.1		215.9	203.2
10x6	273.1x168.3			193.5
10x5	273.1x141.3	190.5		
10x4	273.1x114.3	184.2		
12x10	323.9x273.1	254.0		241.3
12x8	323.9x219.1			228.6
12x6	323.9x168.3		218.9	
12x5	323.9x141.3		215.9	
14x12	355.6x323.9		279.4	269.7
14x10	355.6x273.1			257.0
14x8	355.6x219.1	247.7		
14x6	355.6x168.3	238.3		
16x14	406.4x355.6	304.8		304.8
16x12	406.4x323.9			295.1
16x10	406.4x273.1		282.4	
16x8	406.4x219.1		273.1	
16x6	406.4x168.3		263.7	
18x16	457.2x406.4		342.9	330.2
18x14	457.2x355.6	330.2		
18x12	457.2x323.9	320.5		
18x10	457.2x273.1	307.8		
18x8	457.2x219.1	298.5		
20x18	508.0x457.2	381.0		368.3
20x16	508.0x406.4		355.6	
20x14	508.0x355.6		355.6	
20x12	508.0x323.9		345.9	
20x10	508.0x273.1		333.2	
20x8	508.0x219.1		323.9	
22x20	558.8x508.0	419.1	406.4	
22x18	558.8x457.2		393.7	
22x16	558.8x406.4		381.0	

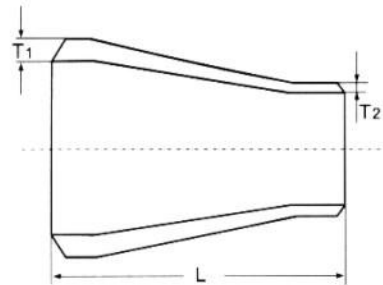
不锈钢无缝管件Stainless steel seamless fitting

ASME/ANSI B16.9 对焊异径三通、四通 Butt-Welding Reducing tee and Reducing Cross

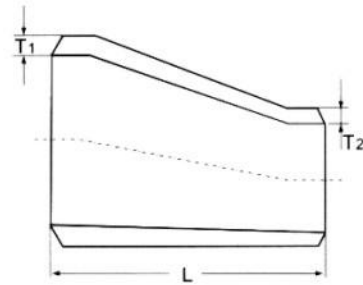
公称通径 Nominal Pipe Size DN(In)	端部外径 Outside Diameter at Bevel	中心至端面 Center to End		
		T1xT2	C M	
22x14	558.8x355.6	419.1	381.0	
22x12	558.8x323.9		371.3	
22x10	558.8x273.1		358.6	
24x22	609.6x558.8		431.8	431.8
24x20	609.6x508.0			431.8
24x18	609.6x457.2			419.1
24x16	609.6x406.4	406.4		
24x14	609.6x355.6	406.4		
24x12	609.6x323.9	396.7		
24x10	609.6x273.1	384.0		
26x24	660.4x609.6	495.3	482.6	
26x22	660.4x558.8		469.9	
26x20	660.4x508.0		457.2	
26x18	660.4x457.2		444.5	
26x16	660.4x406.4		431.8	
26x14	660.4x355.6		431.8	
26x12	660.4x323.9	422.1		
28x26	711.2x660.4	520.7	520.7	
28x24	711.2x609.6		508.0	
28x22	711.2x558.8		495.3	
28x20	711.2x508.0		482.6	
28x10	711.2x457.2		469.9	
28x16	711.2x406.4		457.2	
28x14	711.2x355.6	457.2		
28x12	711.2x323.9	447.5		
30x28	762.0x711.2	558.8	546.1	
30x26	762.0x660.4		546.1	
30x24	762.0x609.6		533.4	
30x22	762.0x558.8		520.7	
30x20	762.0x508.0		508.0	
30x18	762.0x457.2		495.3	
30x16	762.0x406.4	482.6		
30x14	762.0x355.6	482.6		
30x12	762.0x323.9	472.9		
30x10	762.0x273.1	460.2		
32x30	812.8x762.0	596.9	584.2	
32x28	812.8x711.2		571.5	
32x26	812.8x660.4		571.5	
32x24	812.8x609.6		558.8	
32x22	812.8x558.8		546.1	
32x20	812.8x508.0		533.4	
32x18	812.8x457.2	520.7		
32x16	812.8x406.4	508.0		
32x14	812.8x355.6	508.0		
34x32	863.6x812.8	635.0	622.3	
34x30	863.6x762.0		609.6	

不锈钢无缝管件Stainless steel seamless fitting

ASME/ANSI B16.9 对焊同心、偏心异径管 Butt-Welding Concentric & Eccentric Reducers



同心异径管
Concentric Reducer



偏心异径管
Eccentric Reducer

公称通径 Nominal Pipe Size DN(in)	端部外径 Outside Diameter at Bevel	长度 End to End L
	T1X T2	
3/4X1/2 3/4X3/8	26.7X21.3	38.1
	26.7X17.1	
1X3/4 1X2/2	33.4X26.7	50.8
	33.4X21.3	
1 1/4X1 1 1/4X3/4 1 1/4X1/2	42.2X33.4	50.8
	42.2X26.7	
	42.2X21.3	
1 1/2X1 1/4 1 1/2X1 1 1/2X3/4 1 1/2X1/2	48.3X42.2	63.5
	48.3X33.4	
	48.3X26.7	
	48.3X21.3	
2X1 1/2 2X1 1/4 2X1 2X3/4	60.3X48.3	76.2
	60.3X42.2	
	60.3X33.4	
	60.3X26.7	
2 1/2X2 2 1/2X1 1/2 2 1/2X1 1/4 2 1/2X1	70.3X60.3	88.9
	73.0X48.3	
	73.0X42.2	
	73.0X33.4	
3X2 1/2 3X2 3X1 1/2 3X1 1/4	88.9X73.0	88.9
	88.9X60.3	
	88.9X48.3	
	88.9X42.2	
3 1/2X3 3 1/2X2 1/2 3 1/2X2 3 1/2X1 1/2 3 1/2X1 1/4	102.6X88.9	101.6
	101.6X73.0	
	101.6X60.3	
	201.6X48.3	
	101.6X42.2	
4x3 1/2 4x3	214.3X101.6	101.6
	124.3X88.9	

公称通径 Nominal Pipe Size DN(in)	端部外径 Outside Diameter at Bevel	长度 End to End L
	T1X T2	
4X2 1/2 4X2 4X1 1/2	114.3X73.0	101.6
	114.3X60.3	
	114.3X48.3	
5X4 5X3 1/2 5X3 5X2 1/2 5X2	141.3X114.3	127.0
	141.3X101.6	
	141.3X88.9	
	141.3X73.0	
	141.3X60.3	
6X5 6X4 6X3 1/2 6X2 6X2 1/2	168.3X141.3	139.7
	168.3X114.3	
	168.3X101.6	
	168.3X88.9	
	168.3X73.0	
	168.3X60.3	
8X6 8X5 8X4 8X3 1/2	219.1X168.3	152.4
	219.1X141.3	
	219.1X114.3	
	219.1X101.6	
	219.1X60.3	
10X8 10X6 10X5 10X4	273.1X219.1	177.8
	273.1X168.3	
	273.1X141.3	
	273.1X114.3	
	273.1X60.3	
12X10 12X8 12X6 12X5	323.9X273.1	203.2
	323.9X219.1	
	323.9X168.3	
	323.9X141.3	
	323.9X60.3	
14X12 14X10 14X8 14X6	355.6X323.9	330.2
	355.6X273.1	
	355.6X219.1	
	355.6X168.3	
	355.6X60.3	
16X14	406.4X355.6	355.6

不锈钢无缝管件Stainless steel seamless fitting

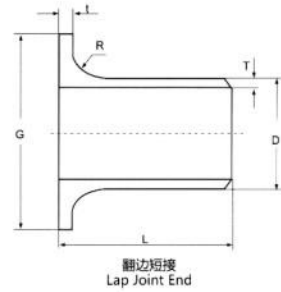
ASME/ANSI B16.9 对焊同心、偏心异径管 Butt-Welding Concentric & Eccentric Reducers

公称通径 Nominal Pipe Size DN(in)	端部外径 Outside Diameter at Bevel	长度 End to End L
	T1X T2	
16X12 16X10 16X8	406.4X323.9	355.6
	406.4X273.1	
	406.4X219.1	
18X16 18X14 18X12 18X10	457.2X406.4	381.0
	457.2X355.6	
	457.2X323.9	
	457.2X273.1	
	457.2X219.1	
20X18 20X16 20X14 20X12	508.0X457.2	508.0
	508.0X406.4	
	508.0X355.6	
	508.0X323.9	
	508.0X219.1	
22X20 22X18 22X16 22X14	558.8X508.0	508.0
	558.8X457.2	
	558.8X406.4	
	558.8X355.6	
	558.8X219.1	
24X22 24X20 24X18 24X16	609.6X558.8	508.0
	609.6X508.0	
	609.6X457.2	
	609.6X406.4	
	609.6X219.1	
26X24 26X22 26X20 26X18	660.4X609.6	609.6
	660.4X558.8	
	660.4X508.0	
	660.4X457.2	
	660.4X219.1	
28X26 28X24 28X20 28X18	711.2X660.4	609.6
	711.2X609.6	
	711.2X508.0	
	711.2X457.2	
	711.2X219.1	
30X28 30X26 30X24 30X20	762.0X711.2	609.6
	762.0X660.4	
	762.0X609.6	
	762.0X508.0	
	762.0X219.1	
32X30 32X28 32X26 32X24	812.8X762.0	609.6
	812.8X711.2	
	812.8X660.4	
	812.8X609.6	
	812.8X219.1	
34X32 34X30	863.6X812.8	609.6
	863.6X762.0	

公称通径 Nominal Pipe Size DN(in)	端部外径 Outside Diameter at Bevel	长度 End to End L
	T1X T2	
34X26 34X24	863.6X660.4	609.6
	863.6X609.6	
36X34 36X32 36X30 36X26 36X24	914.4X863.6	609.6
	914.4X812.8	
	914.4X762.0	
	914.4X660.4	
	914.4X609.6	
38X36 38X34 38X32 38X30 38X28 38X26	965.2X914.4	609.6
	965.2X863.6	
	965.2X812.8	
	965.2X762.0	
	965.2X711.2	
	965.2X660.4	
40X38 40X36 40X34 40X32 40X30	1016.0X965.2	609.6
	1016.0X914.4	
	1016.0X863.6	
	1016.0X812.8	
	1016.0X762.0	
42X40 42X38 42X36 42X34 42X32 42X30	1066.8X1016.0	609.6
	1066.8X965.2	
	1066.8X914.4	
	1066.8X863.6	
	1066.8X812.8	
44X42 44X40 44X38 44X36	1117.6X1066.8	609.6
	1117.6X1016.0	
	1117.6X965.2	
	1117.6X914.4	
	1117.6X609.6	
46X44 46X42 46X40 46X38	1168.4X1117.6	711.2
	1168.4X1066.8	
	1168.4X1016.0	
	1168.4X965.2	
48X46 48X44 48X42 48X40	1219.2X1168.4	711.2
	1219.2X1117.6	
	1219.2X1066.8	
	1219.2X1016.0	

不锈钢无缝管件 Stainless steel seamless fitting

MSS SP-43、ASME/ANSI B16.9-86翻边短接 Lap Joint Stub Ends

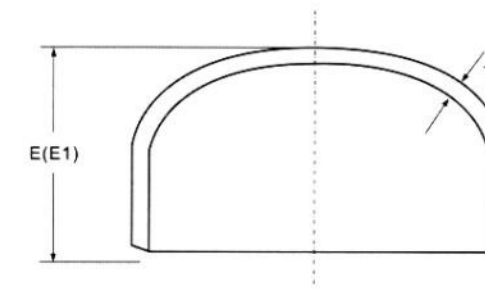


公称口径 Nominal Pipe Size DN(in)	端部外径 Outside Diameter at Bevel D	长度 End to End L		圆角半径 Radius of fillet R		搭接直径 Diameter of Lap G
		MSS SP-43	ASME	A型	B型	
		R		G		
1/2	21.3	50.8	76.2	3.0	0.8	35.0
3/4	26.7	50.8	76.2	3.0	0.8	42.9
1	33.4	50.8	101.6	3.0	0.8	50.8
1 1/4	42.2	50.8	101.6	4.8	0.8	63.5
1 1/2	48.3	50.8	101.6	6.4	0.8	73.2
2	60.3	63.5	152.4	7.9	0.8	91.9
2 1/2	73.0	63.5	152.4	7.9	0.8	104.6
3	88.9	63.5	152.4	9.6	0.8	127.0
3 1/2	101.6	76.2	152.4	9.6	0.8	139.7
4	114.3	76.2	152.4	11.2	0.8	157.2
5	141.3	76.2	203.2	11.2	1.6	185.7
6	168.3	88.9	203.2	12.7	1.6	215.9
8	219.1	101.6	203.2	12.7	1.6	269.7
10	273.0	127.0	254	12.7	1.6	323.9
12	323.8	152.4	254	12.7	1.6	381.0
14	355.6	152.4	304.8	12.7	1.6	412.8
16	406.4	152.4	304.8	12.7	1.6	469.9
18	457.0	152.4	304.8	12.7	1.6	533.4
20	508.0	152.4	304.8	12.7	1.6	584.2
22	559	-	304.8	12.7	-	641.4
24	609.6	152.4	304.8	12.7	1.6	692.2

注Note: ①搭接厚度t不小于公称壁厚。当采用榫槽面、凹凸面等密封面时, 心须增加搭接厚度。
Bonding thickness(t) not less than nominal thickness. The bonding thickness should be increased for tongue-groove seal face, male & female face and so on.
②适用于与sch40s或更薄的不锈钢管子联接。
Suitable for the coupling of stainless tubes with sch40s or thinner.
③R尺寸符合ANSI B16.5中搭接法兰凸缘所规定的半径, 请订货时注明圆角半径的型式。
R Size accords with the radius stipulated in ANSI B16.5 relating to bonding flange, please indicate the radius type as placing orders.
④L或G尺寸另有要求时, 请订货时说明。
Please indicate as ordering for the requirements on the sizes of L or G.
⑤圆每半径R只Y,-)MSS SP-43翻边短接有效。
Radius R is only valid for lap joint stub ends of MSS Sp-43

不锈钢无缝管件 Stainless steel seamless fitting

管帽 Cap



管帽 Cap

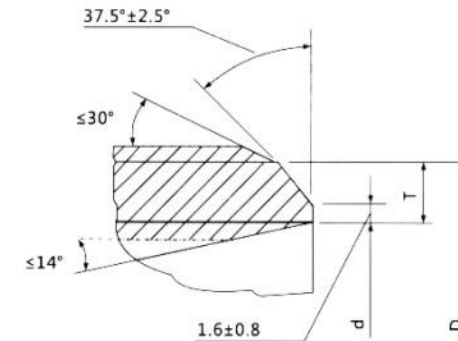
公称口径 Nominal Pipe Size DN(in)	端部外径 Outside Diameter at Bevel T	全长 Length		对尺寸E的 限制厚度 Limiting Wall Thickness for Length E
		E	E1	
1/2	21.3	25.4	25.4	3.73
3/4	26.7	25.4	25.4	3.91
1	33.4	38.1	38.1	4.55
1 1/4	42.2	38.1	38.1	4.85
1 1/2	48.3	38.1	38.1	5.08
2	60-3	38.1	44.5	5.54
2 1/2	73.0	38.1	50.8	7.01
3	88.9	50.8	63.5	7.62
3 1/2	101.6	63.5	76.2	8.08
4	114.3	63.5	76.2	8.56
5	141.3	76.2	88.9	9.53
6	168.3	88.9	101.6	10.97
8	219.1	101.6	127.0	12.70
10	273.1	127.0	152.4	12.70
12	323.9	152.4	177.8	12.70
14	355.6	165.1	190.5	12.70
16	406.4	177.8	203.2	12.70

公称口径 Nominal Pipe Size DN(in)	端部外径 Outside Diameter at Bevel T	全长 Length		对尺寸E的 限制厚度 Limiting Wall Thickness for Length E
		E	E1	
18	457.2	203.2	228.6	12.70
20	508.0	228.6	254.0	12.70
22	558.8	254.0	254.0	12.70
24	609.6	266.7	304.8	12.70
26	660.4	266.7	-	-
28	711.2	266.7	-	-
30	762.0	266.7	-	-
32	812.8	266.7	-	-
34	863.6	266.7	-	-
36	914.4	266.7	-	-
38	965.2	304.8	-	-
40	1016.0	304.8	-	-
42	1066.8	304.8	-	-
44	1117.6	342.9	-	-
46	1168.4	342.9	-	-
48	1219.2	342.9	-	-

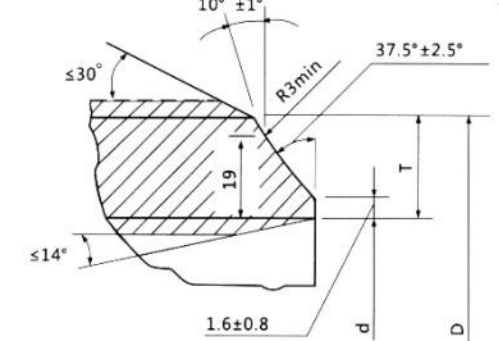
注: ①管帽的全长不大于限制厚度时为E, 超过限制厚度为E1。②壁厚T见第38页壁厚表。
Note: ①E shows that the overall length of socket caps not greater than limiting thickness while E1 for exceeding the limiting thickness
②Please see the wall thickness T in Page 38 Thickness List

ASME/ANSI B16.9、B16.28 规定的对焊管件焊接端坡口的结构形式 End Preparation of Butt-Welding Fittings to ASME/ANSI B16.9、B16.28

(a)壁厚 ≤ 22



(B)壁厚有 > 22



不锈钢无缝管件Stainless steel seamless fitting

国别 Country	标准 Standard	类别 Category	材料牌号 Material	化学成分 (%)										力学性能 Mechanical Properties		
				C	SI	MN	P<	S<	NI	CR	MO	V	其它 Others	σ _b (Mpa)	σ _s (Mpa)	δ ₅ (%)
中国 China	GB8163	钢管	20	0.17~0.24	0.17~0.37	0.35~0.65	0.035	0.035	≤0.25	≤0.25	0.40~0.55	-	-	390~530	245	20
	GB6479	钢管	16Mn	0.12~0.20	0.20~0.60	1.20~1.60	0.040	0.040	-	-	0.40~0.55	-	-	490~670	320	21
	GB6479	钢管	12CrMo	0.08~0.15	0.17~0.37	0.40~0.70	0.035	0.035	≤0.30	0.40~0.70	0.25~0.35	-	-	410~560	205	21
	GB6479	钢管	15CrMo	0.12~0.18	0.17~0.37	0.40~0.70	0.035	0.035	≤0.30	0.80~1.10	-	-	440~640	235	21	
	GB5310	钢管	12Cr1MoV	0.08~0.15	0.17~0.37	0.40~0.70	0.035	0.035	-	0.90~1.20	1.80~2.50	0.15~0.30	Cu≤0.25	471~638	255	21
	GB2270	钢管	1Cr18Ni9Ti	≤0.12	≤1.00	≤2.00	0.035	0.030	8.00~11.00	17.00~19.00	-	-	Ti5(C%-0.02)~0.08	≥540	-	40
	GB2270	钢管	0Cr18Ni12Mo2Ti	≤0.08	≤1.00	≤2.00	0.035	0.030	11.00~14.00	16.00~19.00	2.00~3.00	-	Ti5xC%-0.70	≥510	-	42
	GB2270	钢管	00Cr19Ni11	≤0.030	≤1.00	≤2.00	0.035	0.030	9.00~13.00	18.00~20.00	-	-	-	≥481	-	40
	GB2270	钢管	00Cr17Ni14Mo2	≤0.030	≤1.00	≤2.00	0.035	0.030	12.00~15.00	16.00~18.00	-	-	-	≥481	-	40
		GB3274	钢板	Q235A	0.14~0.22	≤0.30	0.30~0.65	0.045	0.050	-	-	-	-	-	375~460	235
美国 U.S.A	GB6654	钢板	16MnR	≤0.20	0.20~0.60	1.20~1.60	0.035	0.035	-	-	-	-	-	510~655	345	21
	ASTMA106	钢管	WPS	≤0.30	≤0.10	0.29~1.06	0.035	0.035	-	-	-	-	-	≥415	240	22
	ASTMA312	钢管	TP304	≤0.08	≤0.75	≤2.00	0.040	0.030	8.00~11.00	18.0~20.0	2.00~3.00	-	-	≥515	205	35
	ASTMA312	钢管	TP3041	≤0.035	≤0.75	≤2.00	0.040	0.030	8.00~13.00	18.0~20.0	2.00~3.00	-	-	≥485	170	35
	ASTMA312	钢管	TP316	≤0.08	≤0.75	≤2.00	0.040	0.030	10.0~14.0	16.0~18.0	-	-	-	≥515	205	35
	ASTMA312	钢管	TP3161	≤0.035	≤0.75	≤2.00	0.040	0.030	10.0~15.0	16.0~18.0	-	-	-	≥485	170	35
	ASTMA312	钢管	TP321	≤0.08	≤0.75	≤2.00	0.040	0.030	9.00~13.00	17.0~20.0	-	-	Ti5xC%-0.07	≥485	170	35
	JISG3459	钢管	SUS304	≤0.08	≤1.00	≤2.00	0.040	0.030	8.00~11.00	18.00~20.00	2.00~3.00	-	-	≥520	206	35
	JISG3459	钢管	SUS3041	≤0.030	≤1.00	≤2.00	0.040	0.030	9.00~13.00	18.00~20.00	2.00~3.00	-	-	≥481	177	35
	JISG3459	钢管	SUS316	≤0.08	≤1.00	≤2.00	0.040	0.030	10.00~14.00	16.00~18.00	-	-	-	≥520	206	35
日本 Japan	JISG3459	钢管	SUS3161	≤0.030	≤1.00	≤2.00	0.040	0.030	12.00~16.00	16.00~18.00	-	-	-	≥481	177	35
	JISG3459	钢管	SUS321	≤0.08	≤1.00	≤2.00	0.040	0.030	9.00~13.00	17.00~19.00	-	-	-	≥520	206	35

注:①在化学成分中, 标准规定分牌号的材料因用途不同或其它元素含量变化, 其含量或含量范围允许在一定范围内增加, 使用时请查相应标准。
②在力学性能中, 对部分牌号的材料表中所列伸长率是一个代表值, 其值因试样的形式或管子壁厚的不同有所变化, 使用时请查相应标准。

不锈钢无缝管件Stainless steel seamless fitting

(1)钢管 中国与美国、日本的钢管、钢板的常用钢号对照表

钢种	国名	中国		日本JIS		美国ASTM
		钢号	标准号	钢号	标准号	钢号
碳素钢管		20	GB/-r816387	STPG42	G3456	A 53-B A 135-B
			GB23270	STPT42	G3456	A 108-B
低合金钢管		16Mn	GB/T308782	STS49	G3455	A 210-C
				STPT49	G3456	
耐热钢管		12CrMo	GB994888	STBA20	G3462	A 335-P 2 A 369-FP 2 A 231-T 2
			GB994885	STBA22 STBA22	G3458 G3462	A 335-P 12 A 369-FP 12 A 231-T 12
			GB5310	STBA23 STBA23	G3458 G3462	A 335-P 11 A 366-FP 11 A 199-T 11 A 231-T 11
			GB5310	STBA25 STBA25	G3458 G3462	A 335-P 5 A 389-FP 5 A 213-T 5
不锈钢耐酸钢管		0Cr18Ni9	GB/T14976-94	SUS304TP SUS304TB	G3459 G3463	A 312 A 376 TP 304 A 213 A 249 A 268 TP 304
			GB/T14976-94	SUS321TP SUS321TB	G3459 G3463	A 312 A 376 TP 321 A 213 A 240 A 268 TP 321
			GB/T14976-94	SUS3041TP SUS3041TB	G3459 G3463	A 312 A 376 TP 3041 A 213 A 240 A 268 TP 304L
			GB/T14976-94	SUS3161TP SUS3161TB	G3459 G3463	A 312 A 376 TP 3161 A 213 A 240 A 268 TP 3161

(2)板材

钢种	国名	中国		日本JIS		美国ASTM
		钢号	标准号	钢号	标准号	钢号
碳素钢管		A3,AY3	GB700-86	SS41	G3101	A283-C
		A3R	YB536-69	SPV24	G3115	A285-C
低合金钢管		20G	GB713-97	SB42	G3103	A515-60级
		16Mn	GB1591-94	SM50-B、C	G3106	
耐热钢管		12CrMo		SCMV1	G4109	A387-2级
		15CrMo		SCMV2	G4109	A387-12级
不锈钢耐酸钢管		12Cr2Mo1		SCMV4	G4109	A387-22级
		0Cr18Ni9	YB541-70 YB542-70	SUS304	G4304 G4305	A320-304
		(1Cr18Ni9)	YB541-70 YB542-70	SUS302	G4304 G4305	A320-302
		0Cr18Ni9 1Cr18Ni9	YB541-70 YB542-70	SUS321	G4304 G4305	A320-321
		0Cr18Ni12Mo2Ti	YB541-70 YB542-70	SUS316	G4304 G4305	A320-316
		00Cr18Ni10	YB541-70 YB542-70	SUS304L	G4304 G4305	A320-304L
		00Cr17Ni14Mo2	YB541-70 YB542-70	SUS316L	G4304 G4305	A320-316L