



Full of confidence in the product quality, by coexisting with society and cooperative progress, we will develop Shenpu Company and make contribution to the human beings.



## REGARDING /关于深浦

浙江深浦法兰管件有限公司是一家专业从事高端法兰、工业阀门、管件、卫生级管件的多元化一体企业。公司从创建以来，始终坚持“观念创新，科技创新，管理创新”的经营理念，使企业充满活力，不断进取；坚持“专业、专心、精益求精”的经营理念，为客户提供最具完美品质的产品，以优质服务取信客户，实现企业和客户的价值最大化。

深浦公司引进最先进的锻打技术，采用数控机床及配套的系列检测设备进行生产，公司专业生产不锈钢法兰（平焊法兰，带颈法兰，不锈钢盲板，卡压卫生级法兰，压力容器法兰），不锈钢阀门（球阀，闸阀，截止阀，止回阀，过滤器）不锈钢管件（弯头，三通，大小头，翻边），丝扣快速接头，丝扣管件等。公司采用国标、美标、德标、日标的统一标准，并可承接非标私人定制，是各种管道与管路最理想的配件产品。深浦公司在得到国内客户认可的同时，也将产品远销中国台湾，国外。如东欧地区，南美地区，亚洲地区，中东地区，也同样得到了客户的一致好评。公司在不断发展壮大的过程中，建立了一支具有丰富理论知识和实践经验的技术队伍；积累了丰富的管理经验，有一套从产品设计、开发、生产和销售为一体的企业管理和技术管理体系。

深浦公司以雄厚的专业技术力量和可靠的质量保证体系，确保产品的完美品质，以“质量是生命、客户是上帝”的服务理念，为客户提供优质产品和服务。

深浦人竭诚欢迎新老客户惠顾，愿与您忠诚合作，共创辉煌未来！



CONCENTRATED / DEDICATED / SPECIALIZED

• CE认证 • TS安全认证 • ISO9001:2000国际质量管理体系认证

浙江深浦法兰管件有限公司  
ZHEJIANG SUPERIOR FLANGE&PIPE FITTINGS CO.,LTD







The products are used in petroleum, chemical industry natural gas, light industry, electric power, pharmacy dyeing, metallurgy, fiber, leather, tanning, textile, food war industry, construction engineering, refrigeration water supply and other industries.

## 生产车间 Production Workshop

拥有高精度的数控机械和加工中心，先进的设备及检测仪器，精良的工艺以及严格完善的质量管理体系，并聚集具有专业技术精英和领先水平的科技队伍，充分利用新技术、新工艺、新材料保证产品的稳定性和可靠性。兴伟产品质量取源于制造手段的先进、精品意识源于不断创新。

SUPER has high precision numerical control machine and processing center, advanced equipment and testing equipment, sophisticated technology and perfect quality management system strictly, and gathered team of professional and technical elite and the leading level of science and technology, make full use of new technologies, new processes and new materials to ensure the stability and reliability of the product. Xing wei comes from advanced means of production, product quality consciousness is the result of innovation.



氩焊



试压



装配一角



包装一角



晶间腐蚀corrosion test



拉伸试验tensile test



硬度实验hardness test



冲击试验charpy impact test



口径测量dimension test



超声波测厚ultrasonic wt testing



硬度测试 hardness tesy



便携光谱 PMI Portable spectrometer



双相铁素体检测Ferrite Meter test



1000倍金相显微镜 GX41F Metaloscope



无损探伤Liquid penetrate Test



台式直读光谱spectrometer



材料检测记录存档grade tests recording

严格控制生产过程质量，保证产品处于行业领先水平，规范推进全方位的质量监控。质量文化已经渗透到研发、生产、销售和服务的每个细节当中，成为一种自觉行为。质量管理体系已全面与国际接轨，带领企业获得多荣誉的同时，更多地给予客户“上帝”般的消费体验。

We strictly control quality during the production, ensure that the product is at the leading level in the industry and standardize and push forward all-round quality monitoring. The quality culture has been spread into every detail including research, development, production, distribution and service, becoming a conscious behavior. The quality management system has completely kept pace with the world, giving much real godlike consuming experience to customers of our company while leading the enterprise to obtain many honors.



# 浙江深浦法兰管件有限公司

Zhjiang Super Flange&Pipe Fittings Co.,LTd

The perfect quality,  
to the world  
完美品质 走向世界

The products are used in petroleum, chemical industry natural gas,  
Light industry, electric power, pharmacy dyeing, metallurgy, fiber,  
Leather, tanning, textile, food war industry, construction engineering,  
Refrigeration water supply and other industries.



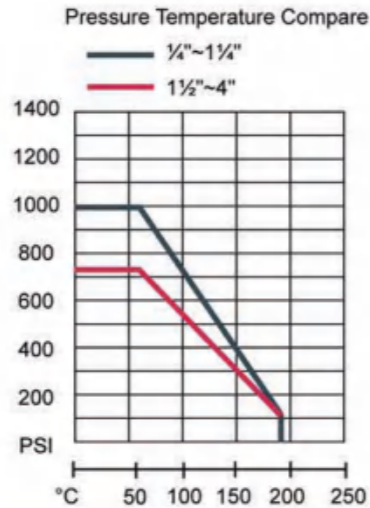


**SPFL-001**

**1-PC Ball Valve Reduce Port 1000WOG**

**STANDARD:**

- Investment Casting Body & Cap
- Blow-Out Proof Stem
- Reduce Port
- Refine Stem Packing Available
- Locking Device Handle Available
- Butterfly Handle /as request/
- Design Standard:ASME B16.34
- Wall Thickness:ASME B16.34,GB 12224
- Several Handle Material Available
- All Kind of Screws Available
- Inspection Standard:API598



**SPFL-001**



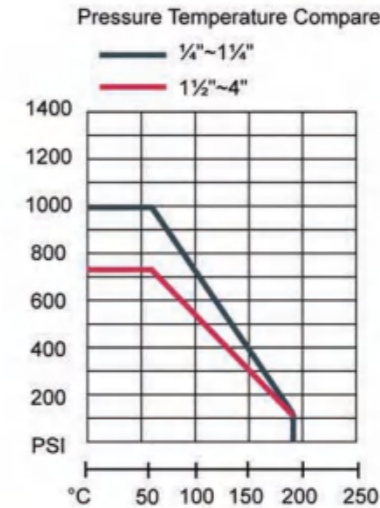
Technical Data			
Test Pressure	Shell Test	9.0	MPA
	Tightness Test	7.50	
	Gas-Tightness Test	0.8	
Max Working Temperature		-20°C~+160°C	
Applicable Medium:Water,Oil,Gas,Acid			

**SPFL-002**

**2-PC Ball Valve Full Port 1000WOG Economic Design**

**STANDARD:**

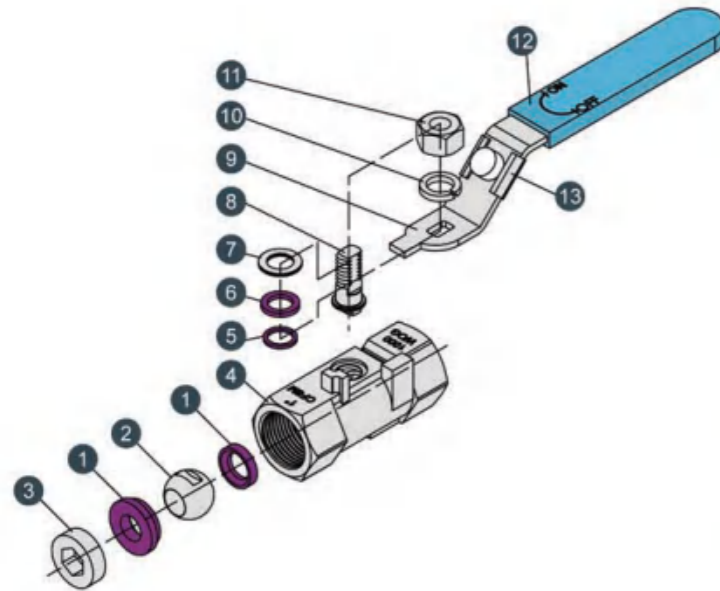
- Investment Casting Body & Cap
- Blow-Out Proof Stem
- Full Port 2-PC Design Economic Style
- Refine Stem Packing Available
- Pressure Balance Hole in Ball Solt(as request)
- Locking Device Handle Available
- Design Standard:ASME B16.34
- Wall Thickness:ASME B16.34,GB 12224
- Several Handle Material Available
- All Kind of Screws Available
- Inspection Standard:API598



**SPFL-002**



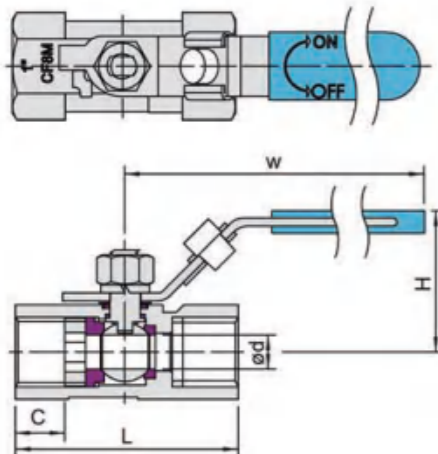
Technical Data			
Test Pressure	Shell Test	9.0	MPA
	Tightness Test	7.50	
	Gas-Tightness Test	0.8	
Max Working Temperature		-20°C~+160°C	
Applicable Medium:Water,Oil,Gas,Acid			



No.	PARTS	MATERIAL	
1	Ball Seat	PTFE	R-PTFE
2	Ball	SS316	SS304
3	End Plug	SS316	SS304
4	Body	CF8M	CF8 WCB
5	Thrust Washer	PTFE	
6	Stem Packing	PTFE	
7	Washer	SS304	
8	Stem	SS316	SS304
9	Handle	SS304	SS201
10	Spring Washer	SS304	
11	Stem Nut	SS304	SS201
12	Handle Cover	PLASTIC	
13	Locking Device	SS304	SS201

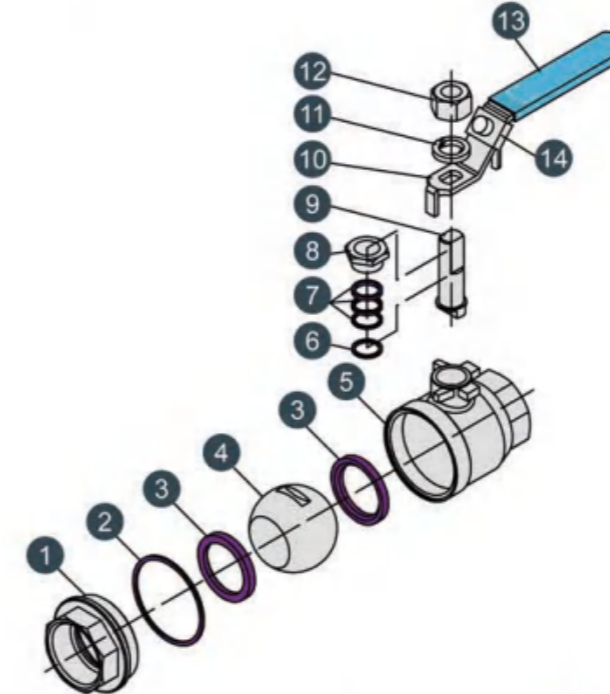
PPL & PEEK High temperature ball seat available

Unit:mm



SIZE	d	L	L1	H	W	C	TORQUE N.M
1/4"	5	40	40	28	75	10	3
3/8"	7	45	44	31	90	10.5	3
1/2"	9	57	53	34	95	13.5	5
3/4"	12	60	57	43	95	14	7
1"	15	72	67.5	52	111	16.5	8
1 1/4"	20	78	74.5	52	124	19	13
1 1/2"	25	83	80	65	139	19	15
2"	32	100	94	70	152	23.5	20
2 1/2"	38	130	-	95	200	31.5	26
3"	48	150	-	102	200	32	30
4"	65	192	-	133	250	44	42

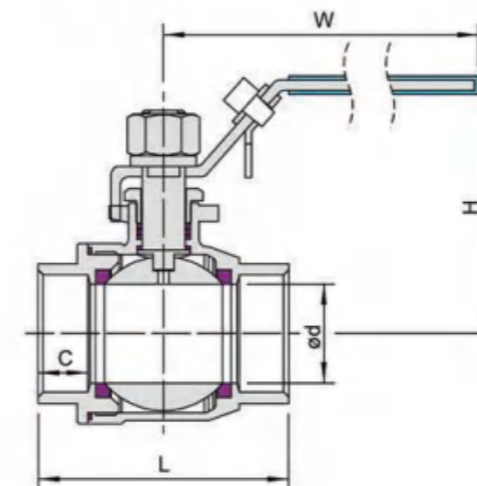
L1=Economic type(donot have locking device)  
L=Standard type(locking device handle available)



No.	PARTS	MATERIAL	
1	Cap	CF8M	CF8 WCB
2	Gasket	PTFE R-PTFE	
3	Ball Seat	PTFE	R-PTFE
4	Ball	SS316	SS304
5	Body	CF8M	CF8 WCB
6	Thrust Washer	PTFE R-PTFE	
7	Stem Packing	PTFE R-PTFE	
8	Stop Nut	SS304	SS201
9	Stem	SS316	SS304
10	Handle	SS304	SS201
11	Spring Washer	SS304	SS201
12	Nut	SS304	SS201
13	Handle Cover	Plastic	
14	Locking Device	SS304	SS201

PPL & PEEK High temperature ball seat available

Unit:mm



SIZE	d	L	H	W	C	TORQUE N.M
1/4"	10	48	50	75	10	3
3/8"	10	48	52	90	10.5	3
1/2"	15	55	58	95	13.5	4
3/4"	20	63	65	95	14	5.5
1"	25	73	70	111	16.5	6
1 1/4"	32	88	80	124	19	8
1 1/2"	38	95	90	139	19	10
2"	48	109	99	152	23.5	18
2 1/2"	65	138	123	200	31.5	25
3"	76	164	135	200	32	32
4"	98	195	160	250	44	45



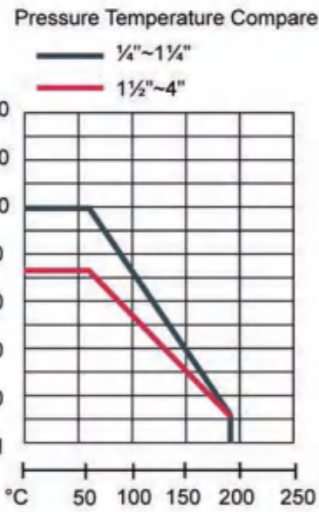
**SPFL-005**

**3-PC Ball Valve Full Port 1000WOG Economic Design**

**SPFL-005**



Technical Data			
Test Pressure	Shell Test	10.0	MPA
	Tightness Test	7.50	
	Gas-Tightness Test	0.8	
Max Working Temperature		-20°C~+160°C	
Applicable Medium:Water,Oil,Gas,Acid			



**STANDARD:**

- Investment Casting Body & Cap
- Blow-Out Proof Stem
- Full Port 3-PC Design
- Pressure Bance Hole in Ball Solt(as request)
- Locking Device Handle Available
- Design Standard:ASME B16.34
- Wall Thickness:ASME B16.34,GB 12224
- Several Handle Material Available
- All Kind of Screws Available
- Inspection Standard:API598

**SPFL-006**

**3-PC Ball Valve Full Port 1000WOG ISO Top Flange Design**

**SPFL-006**

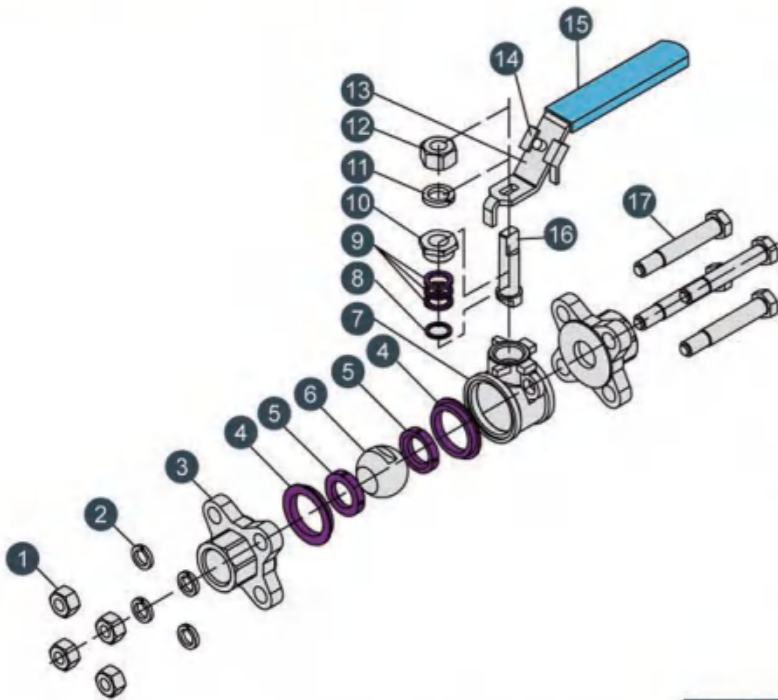


Technical Data			
Test Pressure	Shell Test	10.0	MPA
	Tightness Test	7.50	
	Gas-Tightness Test	0.8	
Max Working Temperature		-20°C~+160°C	
Applicable Medium:Water,Oil,Gas,Acid			



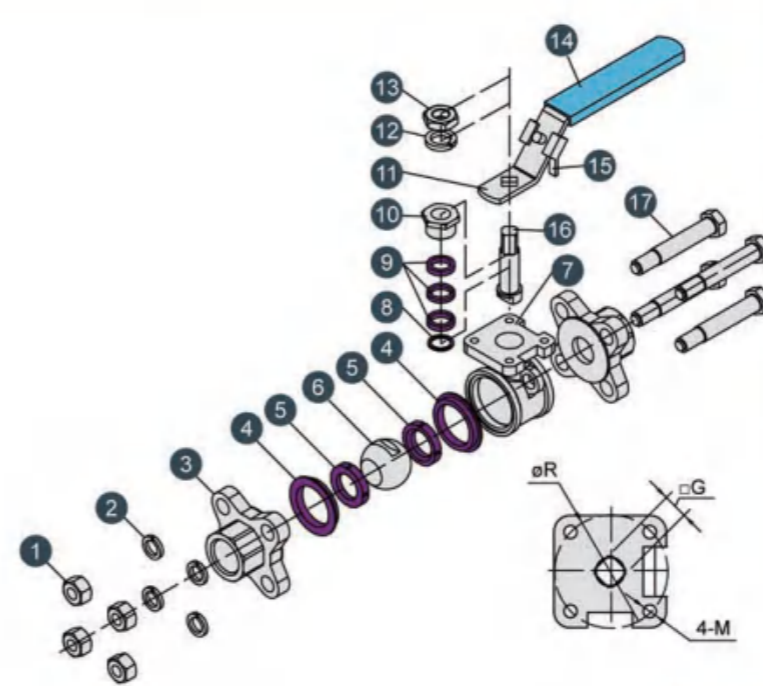
**STANDARD:**

- Investment Casting Body & Cap
- Blow-Out Proof Stem
- Full Port 3-PC Design
- ISO Mounting Pad Top Flange
- Anti-Static Device
- Pressure Bance Hole in Ball Solt(as request)
- Locking Device Handle Available
- Design Standard:ASME B16.34
- Wall Thickness:ASME B16.34,GB 12224
- Several Handle Material Available
- All Kind of Screws Available
- Inspection Standard:API598



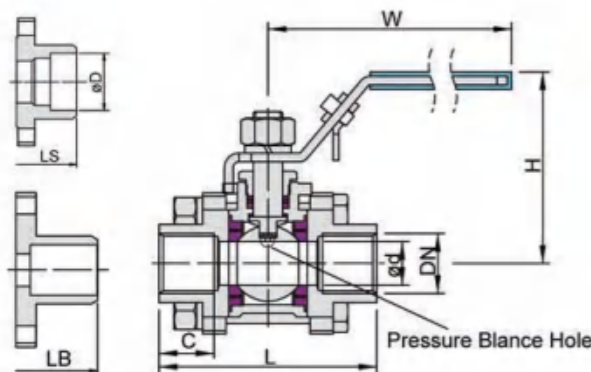
No.	PARTS	MATERIAL		
1	Nut	A194-8		
2	Spring Washer	SS304	SS201	
3	Cap	CF8M	CF8	WCB
4	Gasket	PTFE		R-PTFE
5	Ball Seat	PTFE		R-PTFE
6	Ball	SS316	SS304	
7	Body	CF8M	CF8	WCB
8	Thrust Washer	PTFE		R-PTFE
9	Stem Packing	PTFE		R-PTFE
10	Stop Nut	SS304	SS201	
11	Spring Washer	SS304	SS201	
12	Handle	SS304	SS201	
13	Spring Washer	SS304		
14	Locking Device	SS201		
15	Handle Cover	PLASTIC		
16	Stem	SS316	SS304	
17	Bolt	A193-B8		

PPL & PEEK High temperature ball seat available



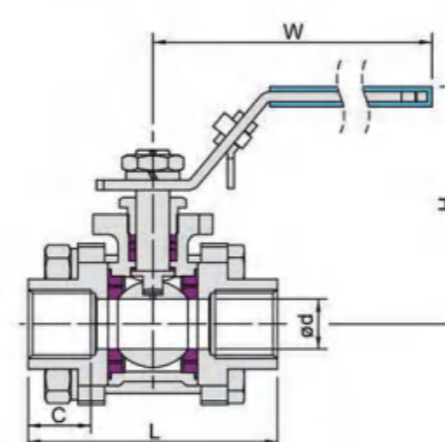
No.	PARTS	MATERIAL		
1	Nut	A194-8		
2	Spring Washer	SS304	SS201	
3	Cap	CF8M	CF8	WCB
4	Gasket	PTFE		R-PTFE
5	Ball Seat	PTFE		R-PTFE
6	Ball	SS316	SS304	
7	Body	CF8M	CF8	WCB
8	Thrust Washer	PTFE		R-PTFE
9	Stem Packing	PTFE		R-PTFE
10	Stop Nut	SS304	SS201	
11	Spring Washer	SS304	SS201	
12	Handle	SS304	SS201	
13	Spring Washer	SS304		
14	Handle Cover	PLASTIC		
15	Locking Device	SS304	SS201	
16	Stem	SS316	SS04	
17	Bolt	A193-B8		

PPL & PEEK High temperature ball seat available



Unit:mm

SIZE	d	L	LB	LS	H	W	C	TORQUE N.M
1/4"	10	55	58	55	59	95	12	3
3/8"	10	55	58	55	59	95	12	4
1/2"	15	62	66	62	59	105	14	5
3/4"	20	70	76	70	65	125	15	8
1"	25	80	85	80	67	125	17	10
1 1/4"	32	92	97	92	80	150	19	15
1 1/2"	38	105	115	105	90	170	20	22
2"	48	123	133	123	99	170	23	26
2 1/2"	65	162	165	162	120	200	28	45
3"	78	180	183	180	135	240	30	78
4"	98	225	233	225	163	290	34	110



Unit:mm

SIZE	d	L	H	W	C	R	G	M	TORQUE N.M
1/2"	15	70	63	100	15	36	9	M5	6
3/4"	20	75	66	100	15	36	9	M5	8
1"	25	90	80	150	18	42	11	M5	10
1 1/4"	32	105	83	150	20	42	11	M5	15
1 1/2"	38	115	99	170	22	50	14	M6	20
2"	48	135	105	170	24	50	14	M6	26
2 1/2"	65	165	130	240	28	70	17	M8	45
3"	78	185	140	240	31	70	17	M8	82
4"	98	230	168	305	35	102	19	M8	108

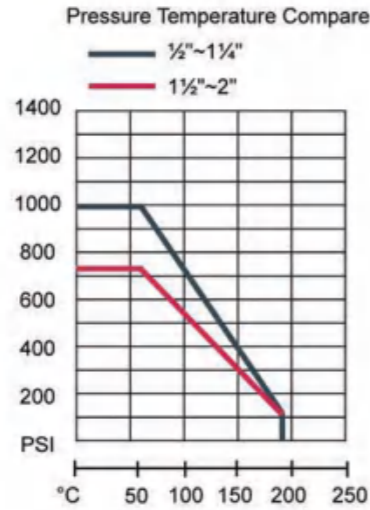


**SPFL-007**

**3-Way Ball Valve Reduce Port 1000WOG  
ISO Mounting Pad Top Flange**

**SPFL-007**

- STANDARD:**
- Investment Casting Body & Cap
  - Blow-Out Proof Stem
  - Reduce Port 3-Way Design
  - Locking Device Handle Available
  - ISO Mounting Top Flange
  - 4 Sets Ball Seat
  - L,T,X Port Available
  - Design Standard:ASME B16.34
  - Wall Thickness:ASME B16.34,GB 12224
  - Several Handle Material Available
  - All Kind of Screws Available
  - Inspection Standard:API598



Technical Data			
Test Pressure	Shell Test	10.0	MPA
	Tightness Test	7.50	
	Gas-Tightness Test	0.8	
Max Working temperature		-20°C~+160°C	
Applicable Medium:Water,Oil,Gas,Acid			

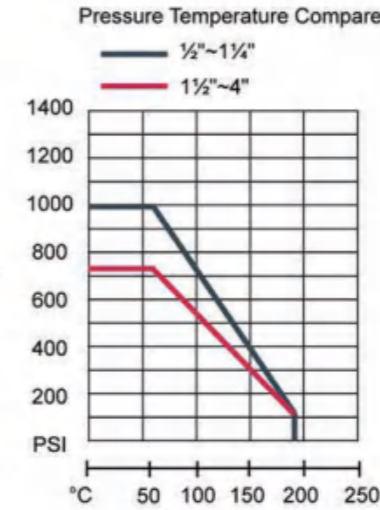


**SPFL-008**

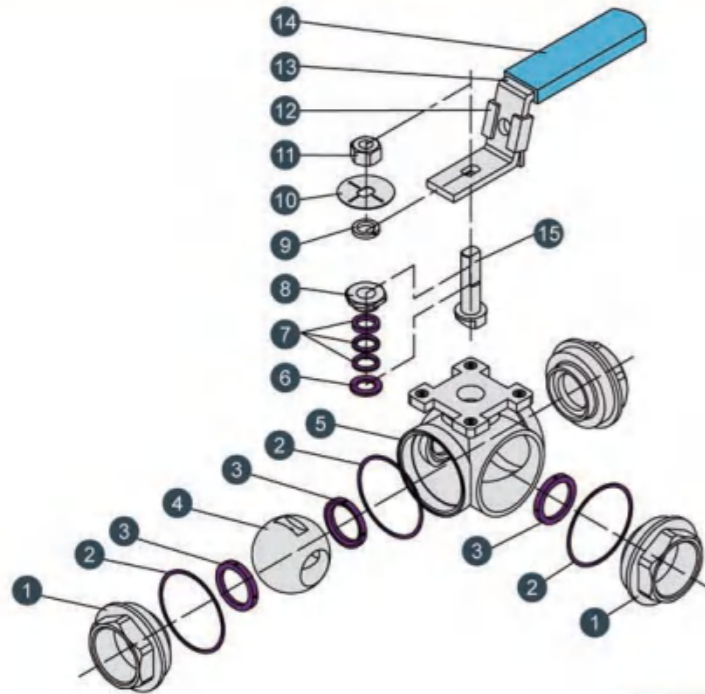
**1-PC Wafer Ball Valve Full Port DIN PN16-40  
ISO Direct Mounting Top Flange Design**

**SPFL-008**

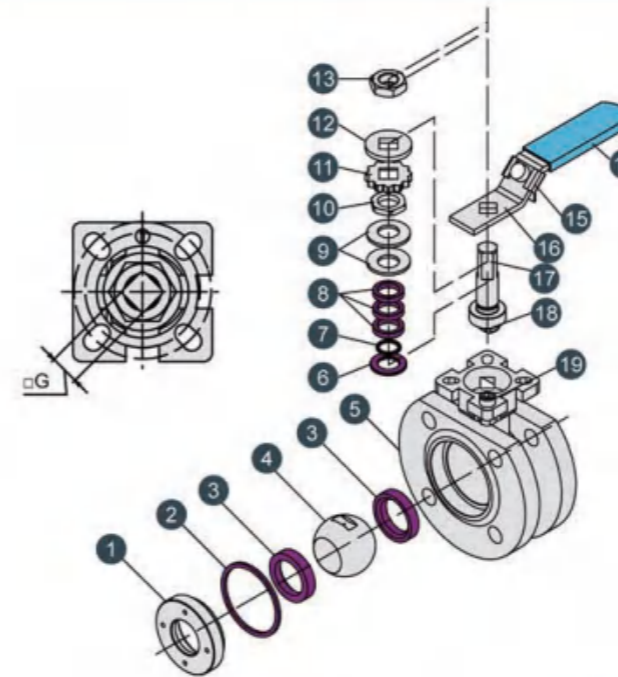
- STANDARD:**
- Investment Casting Body & Cap
  - Blow-Out Proof Stem
  - Full Port 1-PC Design
  - ISO Mounting Pad Top Flange
  - Anti-Static Device
  - Pressure Balance Hole in Ball Solt(as request)
  - Flange Standard:DIN 2633
  - Locking Device Handle Available
  - Design Standard:ASME B16.34
  - Wall Thickness:ASME B16.34,GB 12224
  - Several Handle Material Available
  - Inspection Standard:API598



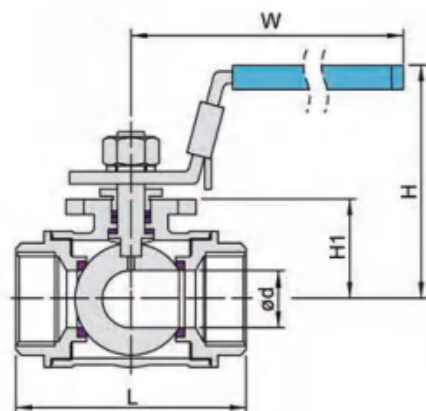
Technical Data			
Test Pressure	Shell Test	9.0	MPA
	Tightness Test	7.50	
	Gas-Tightness Test	0.8	
Max Working Temperature		-20°C~+160°C	
Applicable Medium:Water,Oil,Gas,Acid			



No.	PARTS	MATERIAL		
1	Cap	CF8M	CF8	WCB
2	Gasket	PTFE	R-PTFE	
3	Ball Seat	PTFE	R-PTFE	
4	Ball	SS316	SS304	
5	Body	CF8M	CF8	WCB
6	Thrust Washer	PTFE	R-PTFE	
7	Stem Packing	PTFE	R-PTFE	
8	Stop Nut	SS304	SS201	
9	Spring Washer	SS304	SS201	
10	Direction Washer	Alumimum		
11	Stem Nut	A194-8		
12	Locking Device	SS304	SS201	
13	Handle	SS304	SS201	
14	Handle Cover	PLASTIC		
15	Stem	SS316	SS304	

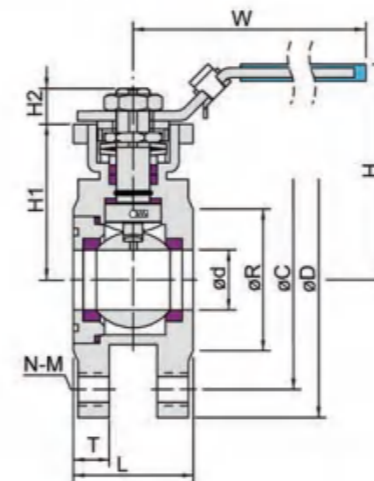


No.	PARTS	MATERIAL		
1	Cap	CF8M	CF8	WCB
2	Gasket	PTFE	R-PTFE	
3	Ball Seat	PTFE	R-PTFE	
4	Ball	SS316	SS304	
5	Body	CF8M	CF8	WCB
6	Thrust Washer	PTFE	R-PTFE	
7	O-Ring	VITON		
8	V-Ring Packing	PTFE	R-PTFE	
9	Spring Washer	PTFE	R-PTFE	
10	Gland	SS304		
11	Stop Washer	SS301		
12	Gland	SS304		
13	Stem Nut	SS304	SS201	
14	Handle Cover	PLASTIC		
15	Locking Device	SS304	SS201	
16	Handle	SS304	SS201	
17	Bolt	A193-B8		
18	Anti-Static Device	SS316	SS304	
19	Pin	SS201		



Unit:mm

SIZE	d	L	H	H1	W	ISO	TORQUE N.M
1/4"	8	53	55	20	110	F03	4
3/8"	8	53	55	20	110	F03	4
1/2"	12	73	70	30	115	F03	9
3/4"	15	83	70	35	115	F04	11
1"	20	95	75	36	130	F04	20
1 1/4"	25	108	85	44	145	F04	22
1 1/2"	32	123	95	53	180	F05	25
2"	43	143	120	67	210	F07	32



Unit:mm

SIZE	d	L	H	H1	H2	R	C	D	W	T	G	N	M	ISO	TORQUE N.M
1/2"	15	35	77	49	9	45	65	95	115	10	9	4	M12	F03/04	4
3/4"	20	42	85	53	9	58	75	105	115	12	9	4	M12	F03/04	5
1"	25	48	94	59	11	68	85	115	140	15	11	4	M12	F04/05	6
1 1/4"	32	55	105	72	11	78	100	140	190	15	11	4	M12	F04/05	9
1 1/2"	38	65	115	77	14	88	100	145	190	16	14	4	M16	F05/07	11
2"	48	75	120	86	14	102	125	160	190	18	14	4	M16	F05/07	18
2 1/2"	65	95	160	108	17	122	145	180	310	18	17	4	M16	F07/10	25
3"	76	118	170	116	17	138	160	195	310	20	17	8	M16	F07/10	50
4"	96	140	182	138	17	162	190	230	310	20	19	8	M16	F07/10	89



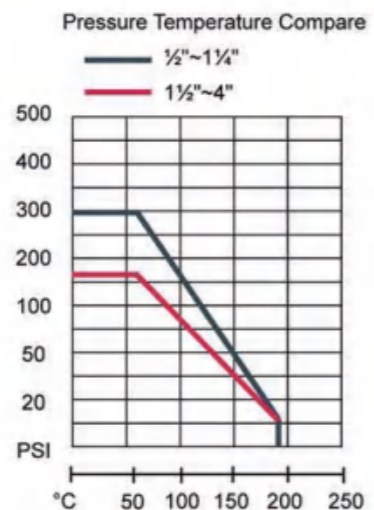
**SPFL-009**

**2-PC Ball Valve Flange End Full Port 150LB  
JIS10K DIN ISO Mounting Top Flange**

**SPFL-009**



Technical Data			
Test Pressure	Shell Test	9.0	MPA
	Tightness Test	7.50	
	Gas-Tightness Test	0.8	
Max Working temperature		-20°C~+160°C	
Applicable Medium:Water,Oil,Gas,Acid			



- STANDARD:**
- Investment Casting Body & Cap
  - Blow-Out Proof Stem
  - Full Port 2-PC Design ANSI 150#
  - ISO Mounting Pad Top Flange
  - Pressure Blance Hole in Ball Solt(as request)
  - Locking Device Handle Available
  - Design Standard:ASME B16.34
  - Wall Thickness:ASME B16.34,GB 12224
  - Flange Standard:ASME B16.5
  - Fire-Safe Design Available
  - Several Handle Material Available
  - Inspection Standard:API598

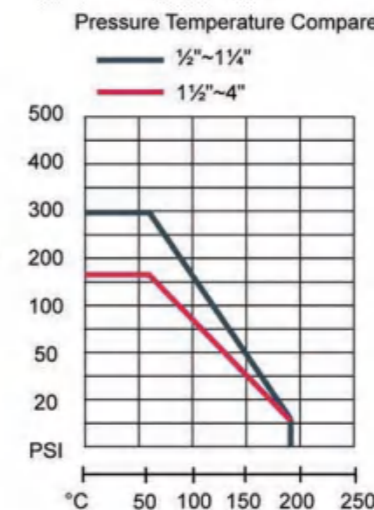
**SPFL-010**

**2-PC Ball Valve Flange End Full Port 150LB  
JIS10K DIN ISO Mounting Top Flange**

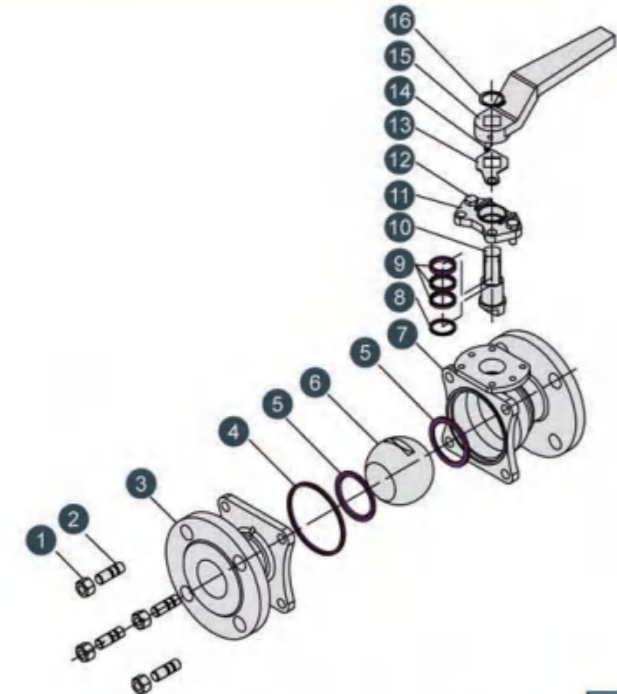
**SPFL-010**



Technical Data			
Test Pressure	Shell Test	9.0	MPA
	Tightness Test	7.50	
	Gas-Tightness Test	0.8	
Max Working Temperature		-20°C~+160°C	
Applicable Medium:Water,Oil,Gas,Acid			



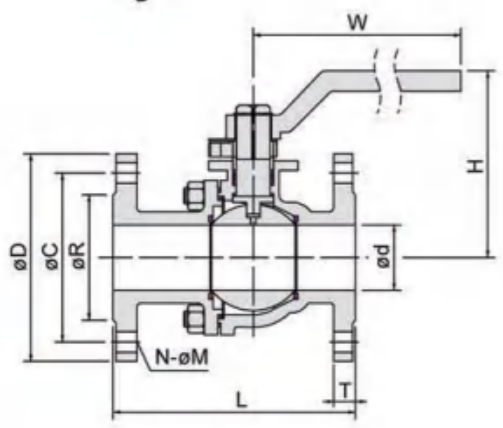
- STANDARD:**
- Investment Casting Body & Cap
  - Blow-Out Proof Stem
  - Full Port 2-PC Design ANSI 150#
  - ISO Direct Mounting Pad Top Flange
  - Pressure Blance Hole in Ball Solt(as request)
  - Anti-Static Device
  - Locking Device Handle Available
  - Design Standard:ASME B16.34
  - Wall Thickness:ASME B16.34,GB 12224
  - Flange Standard:ASME B16.5
  - Several Handle Material Available
  - Inspection Standard:API598



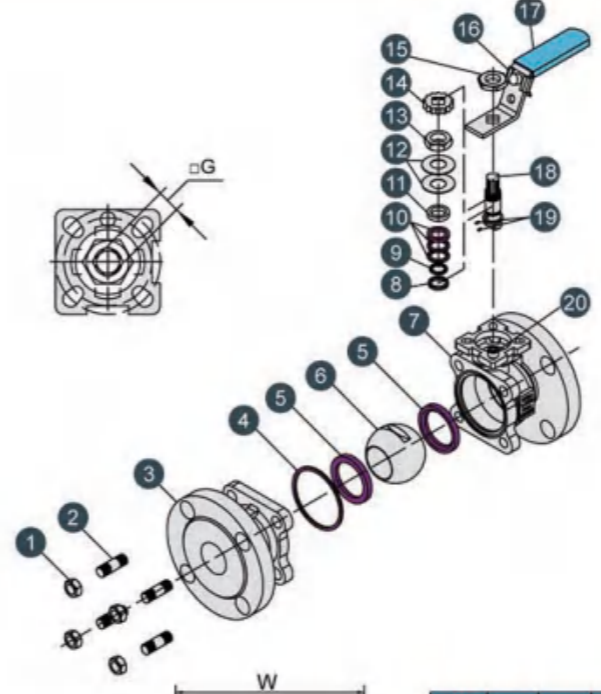
No.	PARTS	MATERIAL		
1	Nut	A194-8		
2	Bolt	A193-B8		
3	Cap	CF8M	CF8	WCB
4	Gasket	PTFE	R-PTFE	
5	Ball Seat	PTFE	R-PTFE	
6	Ball	SS316	SS304	
7	Body	CF8M	CF8	WCB
8	Thrust Washer	PTFE	R-PTFE	
9	V-Ring Packing	PTFE	R-PTFE	
10	Stem	SS316	SS304	
11	Gland	CF8	SS201	
12	Bolt	A193-B8		
13	Position Washer	SS201		
14	Bolt	A193-B8		
15	Handle	SS304	SS201	
16	Stop Washer	SS304	SS201	

PPL & PEEK High temperature ball seat available

Unit:mm

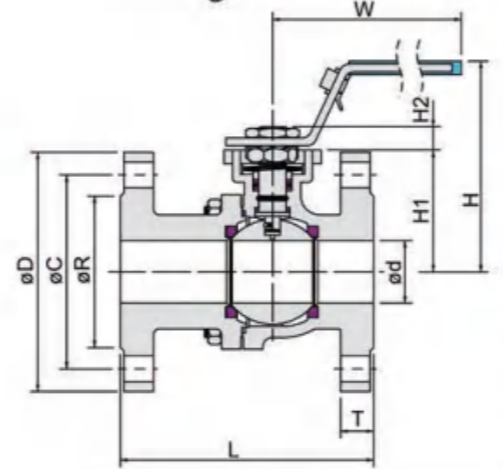


SIZE	d	L	H	W	R	C	D	N	M	T	TORQUE N.M
1/2"	15	108	78	145	35	60.5	89	4	16	11.2	6
3/4"	20	117	80	145	43	70	98	4	16	11.2	8
1"	25	127	88	145	51	80	108	4	16	12.0	10
1 1/4"	32	140	100	180	64	89	117	4	16	12.7	17
1 1/2"	38	165	123	240	73	98.5	127	4	16	14.3	22
2"	48	178	130	240	92	120.5	152	4	19	15.9	30
2 1/2"	65	190	150	240	105	140	178	4	19	17.5	45
3"	78	203	165	300	127	152.5	191	4	19	19.1	80
4"	98	229	185	300	157	190.5	230	8	19	23.9	115



No.	PARTS	MATERIAL		
1	Nut	A194-8		
2	Bolt	A193-B8		
3	Cap	CF8M	CF8	WCB
4	Gasket	PTFE	R-PTFE	
5	Ball Seat	PTFE	R-PTFE	
6	Ball	SS316	SS304	
7	Body	CF8M	CF8	WCB
8	Thrust Washer	PTFE	R-PTFE	
9	O-Ring	VITON		
10	V-Ring Packing	PTFE	R-PTFE	
11	Gland	SS304		
12	Spring Washer	SS04	SS201	
13	Stop Nut	A194-8		
14	Stop Cap	SS304	SS201	
15	Stem Nut	A194-8		
16	Handle	SS304	SS201	
17	Handle Cover	Plastic		
18	Stem	SS316	SS304	
19	Anti-Static	SS304	SS201	
20	Pin	SS304		

Unit:mm



SIZE	d	L	H	W	H1	H2	R	C	D	N	M	G	T	ISO	TORQUE N.M
1/2"	15	108	76	145	49	8	35	60.5	89	4	16	9	11.2	F03/04	6
3/4"	20	117	82	145	54	8	43	70	98	4	16	9	11.2	F03/04	8
1"	25	127	90	145	64	10	51	80	108	4	16	11	12.0	F04/05	10
1 1/4"	32	140	105	180	71	10	64	89	117	4	16	11	12.7	F04/05	17
1 1/2"	38	165	128	240	75	14	73	98.5	127	4	16	14	14.3	F05/07	22
2"	48	178	133	240	85	14	92	120.5	152	4	19	14	15.9	F05/07	30
2 1/2"	65	190	152	240	100	18	105	140	178	4	19	17	17.5	F07/010	45
3"	78	203	165	300	110	18	127	152.5	191	4	19	17	19.1	F07/010	80
4"	98	229	188	300	130	18	157	190.5	230	8	19	19	23.9	F07/010	115

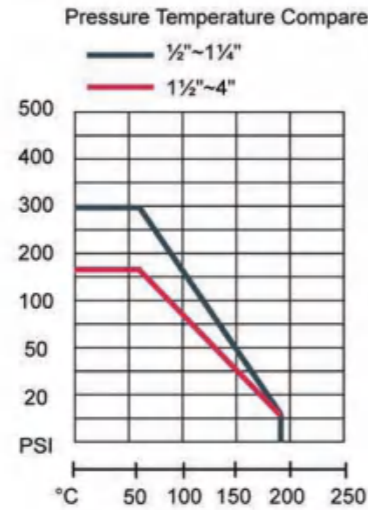


**SPFL-011**

**3-PC Ball Valve Full Port Flange End ANSI 150LB**

**STANDARD:**

- Investment Casting Body & Cap
- Blow-Out Proof Stem
- Full Port 3-PC Design ANSI 150#
- Pressure Bance Hole in Ball Solt(as request)
- Locking Device Handle Available
- Design Standard:ASME B16.34
- Wall Thickness:ASME B16.34,GB 12224
- Flange Standard:ASME B16.5
- Fire-Safe Design Available
- Several Handle Material Available
- Inspection Standard:API598



**SPFL-011**



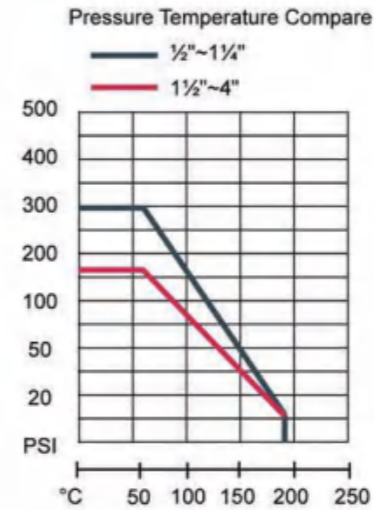
Technical Data			
Test Pressure	Shell Test	9.0	MPA
	Tightness Test	7.50	
	Gas-Tightness Test	0.8	
Max Working temperature		-20°C~+160°C	
Applicable Medium:Water,Oil,Gas,Acid			

**SPFL-012**

**3-PC Ball Valve Flange End Full Port Class150 JIS10K DIN ISO Mounting Top Flange**

**STANDARD:**

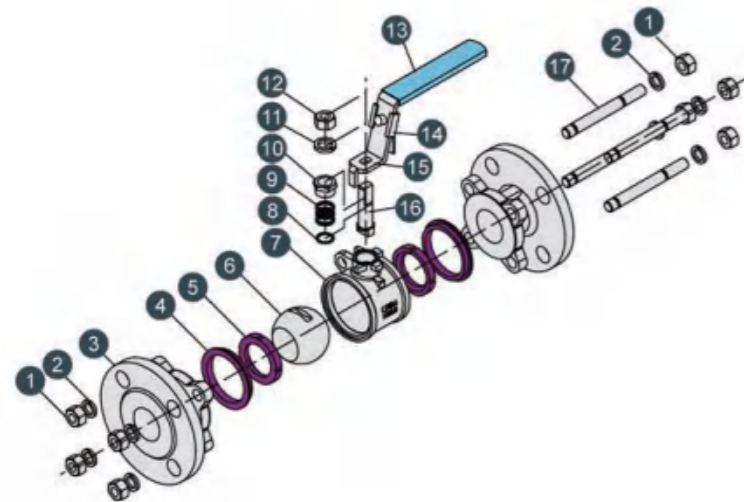
- Investment Casting Body & Cap
- Blow-Out Proof Stem
- Full Port 3-PC Design ANSI 150#
- Pressure Bance Hole in Ball Solt(as request)
- ISO 5211 Direct Mounting Top Flange
- Locking Device Handle Available
- Design Standard:ASME B16.5
- Wall Thickness:ASME B16.34,GB 12224
- Flange Standard:ASME B16.5
- Fire-Safe Design Available
- Several Handle Material Available
- Inspection Standard:API598



**SPFL-012**



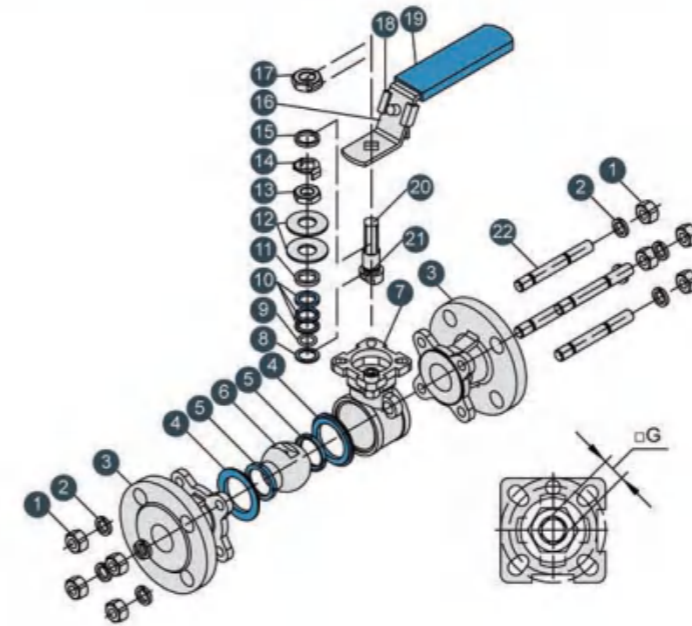
Technical Data			
Test Pressure	Shell Test	10.0	MPA
	Tightness Test	7.50	
	Gas-Tightness Test	0.8	
Max Working temperature		-20°C~+160°C	
Applicable Medium:Water,Oil,Gas,Acid			



No.	PARTS	MATERIAL		
1	Nut	A194-B8		
2	Bolt	A193-7		
3	Cap	CF8M	CF8	WCB
4	Gasket	PTFE	R-PTFE	
5	Ball Seat	PTFE	R-PTFE	
6	Ball	SS316	SS304	
7	Body	CF8M	CF8	WCB
8	Thrust Washer	PTFE	R-PTFE	
9	V-Ring Packing	PTFE	R-PTFE	
10	Stop Nut	SS304	SS201	
11	Spring Washer	SS304	SS201	
12	Stem Nut	A194-8		
13	Handle Cover	Plastic		
14	Locking Device	SS304	SS201	
15	Handle	SS304	SS201	
16	Stem	SS316	SS304	
17	Bolt	A193-B8		

PPL & PEEK High temperature ball seat available

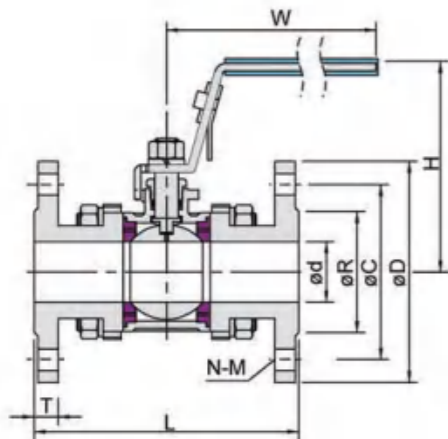
Unit:mm



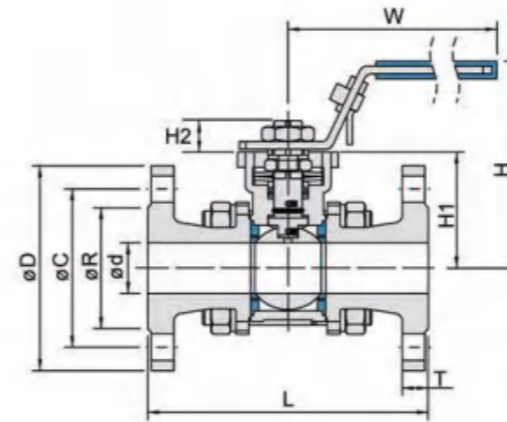
No.	PARTS	MATERIAL		
1	Nut	A194-8		
2	Bolt	A193-B8		
3	Cap	CF8M	CF8	WCB
4	Gasket	PTFE	R-PTFE	
5	Ball Seat	PTFE	R-PTFE	
6	Ball	SS316	SS304	
7	Body	CF8M	CF8	WCB
8	Thrust Washer	PTFE	R-PTFE	
9	O-Ring	VITON		
10	V-Ring Packing	PTFE	R-PTFE	
11	Gland	SS304		
12	Spring Washer	SS04	SS201	
13	Stop Nut	A194-8		
14	Stop Cap	SS304	SS201	
15	Gland	SS304	SS201	
16	Handle	SS304	SS201	
17	Stem Nut	A194-8		
18	Locking Device	SS304	SS201	
19	Handle Cover	Plastic		
20	Stem	SS316	SS304	
21	Anti-static Device	SS316	SS304	

PPL & PEEK High temperature ball seat available

Unit:mm



SIZE	d	L	H	W	R	C	D	N	M	T	TORQUE N.M
1/2"	15	108	78	125	35	60.5	89	4	16	11.2	8
3/4"	20	117	90	125	43	70	98	4	16	11.2	10
1"	25	127	93	175	51	80	108	4	16	12.0	13
1 1/4"	32	140	99	175	64	89	117	4	16	12.7	20
1 1/2"	38	165	110	210	73	99	127	4	16	14.3	28
2"	48	178	118	210	92	120.5	152	4	19	15.9	35
2 1/2"	65	190	150	310	105	140	178	4	19	17.5	50
3"	78	203	158	310	127	153	191	4	19	19.1	86
4"	100	229	165	350	157	191	230	8	19	23.9	116



SIZE	d	L	H	H1	H2	W	R	C	D	N	M	G	T	ISO	TORQUE N.M
1/2"	15	108	78	49	8	125	35	60.5	89	4	16	9	11.2	F03/04	8
3/4"	20	117	90	54	8	125	43	70	98	4	16	9	11.2	F03/04	10
1"	25	127	93	64	10	175	51	80	108	4	16	11	12.0	F04/05	13
1 1/4"	32	140	99	71	10	175	64	89	117	4	16	11	12.7	F04/05	20
1 1/2"	38	165	110	75	14	210	73	98.5	127	4	16	14	14.3	F05/07	28
2"	48	178	118	85	14	210	92	120.5	152	4	19	14	15.9	F05/07	35
2 1/2"	65	190	150	100	18	310	105	140	178	4	19	17	17.5	F07/010	50
3"	78	203	158	110	18	310	127	152.5	191	4	19	17	19.1	F07/010	86
4"	100	229	165	130	18	350	157	190.5	230	8	19	19	23.9	F07/010	116



**SPFL-013**

**Gate Valve Screw End 200PSI**

**STANDARD:**

- Investment Casting Body & Cap
- 200PSI
- Wheel Handle Operation
- All Kind of Screws Available
- Locking Device Handle Available
- Design Standard:ASME B16.34
- Wall Thickness:ASME B16.34,GB 12224
- Inspection Standard:API598

Technical Date			
Test Pressure	Shell Test	2.0	MPA
	Tightness Test	2.5	
	Gas-Tightness Test	0.8	
Max Working temperature		-40°C~+160°C	
Applicable Medium:Water,Oil,Gas,Acid			



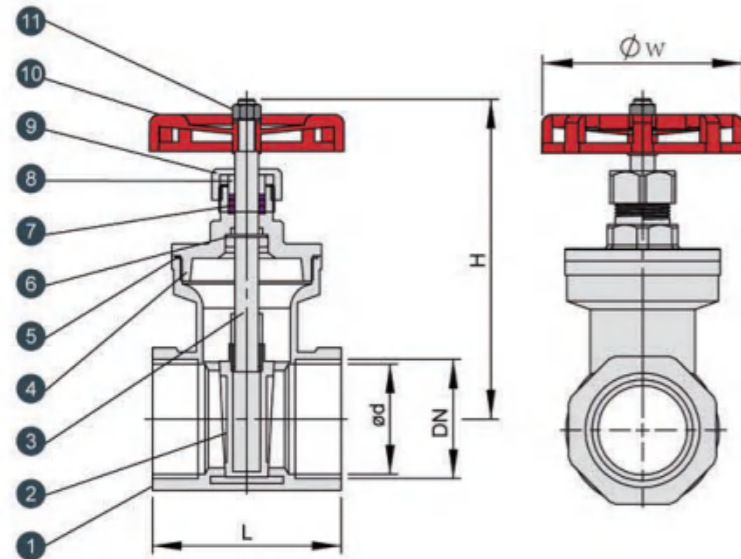
**SPFL-013**

**Gate Valve Flange End Class 150**

**STANDARD:**

- Investment Casting Body & Cap
- ANSI 150LB
- Wheel Handle Operation
- Casting Handle
- Design Standard:ASME B16.34
- Flange Standard:ASME B16.5
- Inspection Standard:API598

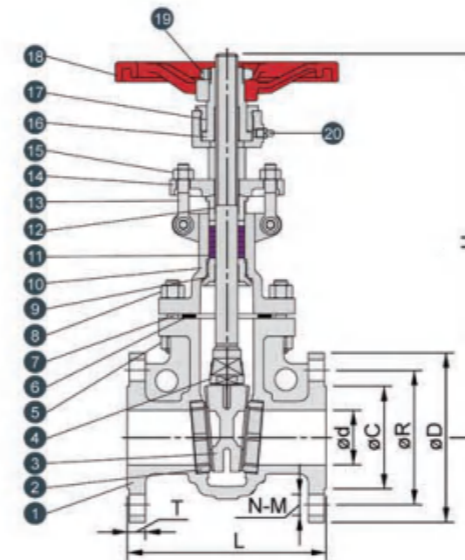
Technical Date			
Test Pressure	Shell Test	3.0	MPA
	Tightness Test	3.5	
	Gas-Tightness Test	0.8	
Max Working temperature		-40°C~+250°C	
Applicable Medium:Water,Oil,Gas,Acid			



No.	PARTS	MATERIAL		
1	Body	CF8M	CF8	SS201
2	Disc	CF8M	CF8	SS201
3	Stem	SS316	SS304	SS201
4	Bonnet	CF8M	CF8	SS201
5	Gasket Packing	PTFE		
6	Gland	SS316	SS304	SS201
7	Stem Packing	PTFE		
8	Gland	SS316	SS304	SS201
9	Stop Cap	CF8M	CF8	SS201
10	Wheel Handle	Aluminum		
11	Nut	SS04	SS201	

Unit:mm

SIZE	DN	d	L	H	W
1/2"	15	15	52	98	70
3/4"	20	20	58	106	70
1"	25	25	63	118	80
1 1/4"	32	32	72	125	90
1 1/2"	40	38	74	150	90
2"	50	48	88	169	100



No.	PART NAME	MATERIAL		
1	Body	CF8M	CF8	WCB
2	Seat	CF8M	CF8	WCB
3	Disc	CF8M	CF8	WCB
4	Stem	SS316	SS304	F6A
5	Nut	SS304		
6	Gasket	SS304+Graphite		
7	Bolt	SS304		
8	Nut	SS04		
9	Seal	SS316	SS04	F6A
10	Bonnet	CF8M	CF8	WCB
11	Stem Packing	Graphite		
12	Gland	CF8	WCB	
13	Eye Bolt	A193-B7		
14	Top Gland	CF8	WCB	
15	Nut	SS304		
16	Sleeve	Bronze		
17	Stop Nut	SS304	A105	
18	Handle	FCD		
19	Stem Nut	SS304	A105	
20	Oil Hole	Bronze		

Unit:mm

SIZE	d	L	H	W	C	R	D	T	N	M
1/2"	15	108	195	120	35	60.5	89	11.2	4	16
3/4"	20	117	210	120	43	70	98	11.2	4	16
1"	25	127	240	140	51	80	108	12.0	4	16
1 1/4"	32	140	300	180	64	89	117	12.7	4	16
1 1/2"	40	165	395	200	73	98.5	125	17.9	4	16
2"	50	178	400	200	92.1	121	150	19.5	4	19
2 1/2"	65	191	435	200	105	140	180	22.7	4	19
3"	80	203	515	250	127	152	190	24.3	4	19
4"	100	229	595	280	157	191	230	24.3	8	19
5"	125	254	725	280	186	216	255	24.3	8	22
6"	150	267	780	300	216	242	280	25.9	8	22
8"	200	292	975	350	242	299	345	29	8	22



**SPFL-015**

Globe Valve Screw End 200PSI

**STANDARD:**

- Investment Casting Body & Cap
- 200PSI
- Wheel Handle Operation
- All Kind of Screws Available
- Locking Device Handle Available
- Design Standard:ASME B16.34
- Wall Thickness:ASME B16.34,GB 12224
- Inspection Standard:API598



**SPFL-015**

Technical Data			
Test Pressure	Shell Test	2.0	MPA
	Tightness Test	2.5	
	Gas-Tightness Test	0.8	
Max Working temperature		-40°C~+250°C	
Applicable Medium:Water,Oil,Gas,Acid			

**SPFL-016**

Globe Valve Flange End Class 150

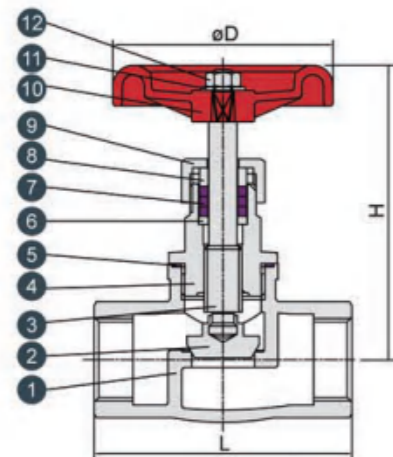
**STANDARD:**

- Investment Casting Body & Cap
- ANSI 150LB
- Wheel Handle Operation
- Casting Handle
- Design Standard:ASME B16.34
- Flange Standard:ASME B16.5
- Inspection Standard:API598



**SPFL-016**

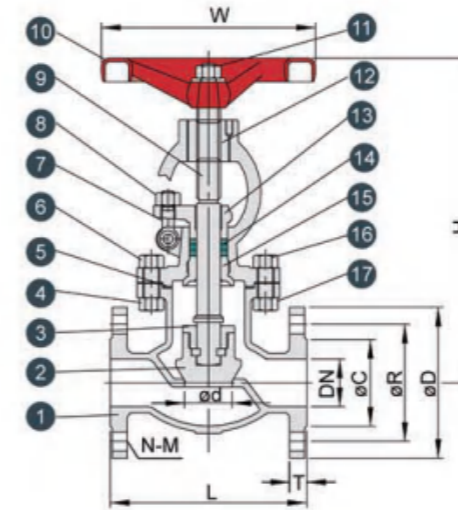
Technical Data			
Test Pressure	Shell Test	3.0	MPA
	Tightness Test	3.5	
	Gas-Tightness Test	0.8	
Max Working temperature		-40°C~+250°C	
Applicable Medium:Water,Oil,Gas,Acid			



No.	PART NAME	MATERIAL	
1	Body	CF8M	CF8
2	Disc	CF8M	CF8
3	Stem	SS316	SS304
4	Bonnet	CF8M	CF8
5	Body Gasket	PTFE	
6	Washer	SS304	
7	Packing	PTFE	
8	Packing Sleeve	SS304	
9	Gland	SS304	
10	Hand Wheel	Aluminum	
11	Nut	SS304	
12	Plain Washer	Aluminum	

Unit:mm

SIZE	d	L	H	D
1/4"	10	65	92	66
3/8"	10	65	92	66
1/2"	15	63	92	66
3/4"	20	77	98	66
1"	25	88	115	73
1 1/4"	32	102	125	95
1 1/2"	38	118	140	105
2"	48	137	150	105



No.	PART NAME	MATERIAL		
1	Body	CF8M	CF8	WCB
2	Disc	CF8M	CF8	WCB
3	Cover	CF8M	CF8	WCB
4	Bolt	SS304		
5	Gasket	PTFE		
6	Nut	SS304		
7	Eye Bolt	SS304		
8	Nut	SS304		
9	Stem	SS316	SS304	F420
10	Wheel Handle	CAST IRON		
11	Stem Nut	SS304		
12	Bonnet	CF8M	CF8	WCB
13	Gland	CF8		
14	Stem Packing	PTFE		
15	Gland	SS316	SS304	
16	Nut	SS304		
17	Bolt	SS304		

Unit:mm

SIZE	d	L	H	W	C	R	D	T	N	M
1/2"	15	108	195	120	35	60.5	89	11.2	4	16
3/4"	20	117	210	120	43	70	98	11.2	4	16
1"	25	127	240	140	51	80	108	12.0	4	16
1 1/4"	32	140	300	180	64	89	117	12.7	4	16
1 1/2"	40	165	395	200	73	98.5	125	17.9	4	16
2"	50	178	400	200	92.1	121	150	19.5	4	19
2 1/2"	65	191	435	200	105	140	180	22.7	4	19
3"	80	203	515	250	127	152	190	24.3	4	19
4"	100	229	595	280	157	191	230	24.3	8	19
5"	125	254	725	280	186	216	255	24.3	8	22
6"	150	267	780	300	216	242	280	25.9	8	22
8"	200	292	975	350	242	299	345	29	8	22



**SPFL-017**

**Swing Check Valve Screw End 200PSI**

**STANDARD:**

- Investment Casting Body & Cap
- 200PSI PN16
- Full Port
- All Kind of Thread Standard Available
- Design Standard:ASME B16.34
- Inspection Standard:API598



**SPFL-017**

Technical Date			
Test Pressure	Shell Test	3.0	MPA
	Tightness Test	3.5	
	Gas-Tightness Test	0.8	
Max Working temperature		-40°C~+250°C	
Applicable Medium:Water,Oil,Gas,Acid			

**SPFL-018**

**Y-Type Spring Check Valve 800PSI**

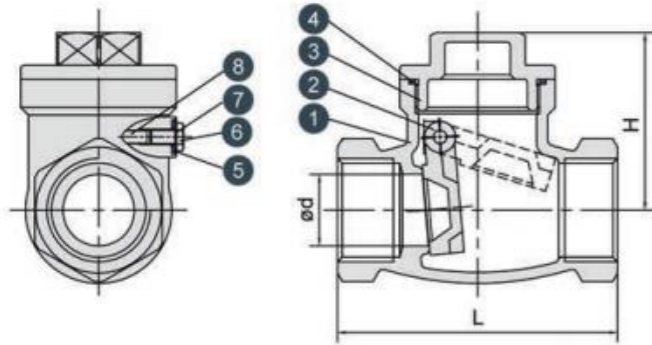
**STANDARD:**

- Investment Casting Body & Cap
- 800PSI PN40
- Full Port
- All Kind of Thread Standard Available
- Design Standard:ASME B16.34
- Inspection Standard:API598



**SPFL-018**

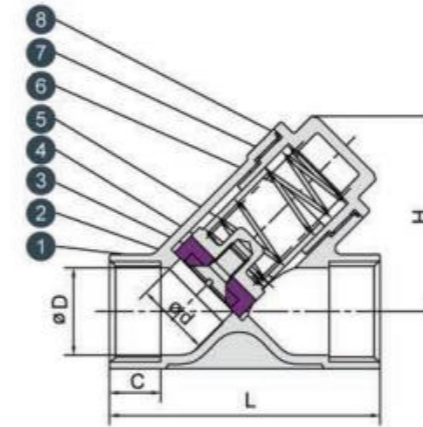
Technical Date			
Test Pressure	Shell Test	3.0	MPA
	Tightness Test	3.5	
	Gas-Tightness Test	0.8	
Max Working temperature		-40°C~+250°C	
Applicable Medium:Water,Oil,Gas,Acid			



No.	PART NAME	MATERIAL	
1	Body	CF8M	CF8
2	Disc	CF8M	CF8
3	Cap	SS316	SS304
4	Body Gasket	CF8M	CF8
5	Pin	PTFE	
6	Plain Washer	SS316	SS304
7	Bolt	PTFE	
8	Gasket	SS316	SS304

Unit:mm

SIZE	d	L	H
1/4"	10	56	36
3/8"	10	56	36
1/2"	15	63	41
3/4"	20	80	50
1"	25	88	58
1 1/4"	32	102	60
1 1/2"	38	113	71
2"	48	136	76

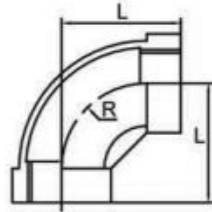


No.	PART NAME	MATERIAL	
1	Body	CF8M	CF8
2	Disc	CF8M	CF8
3	Cap	SS316	SS304
4	Body Gasket	CF8M	CF8
5	Pin	PTFE	
6	Plain Washer	SS316	SS304
7	Bolt	PTFE	
8	Gasket	SS316	SS304

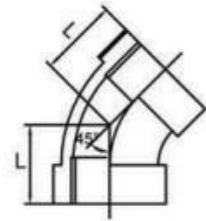
Unit:mm

SIZE	d	L	H	D	C
1/2"	15	65	45	17	13.5
3/4"	20	75	51	22	15.5
1"	25	90	65	30	18
1 1/4"	32	110	70	39	20
1 1/2"	38	120	80	44	20
2"	48	140	96	56	21
2 1/2"	65	185	122	68	23
3"	80	205	150	81	26

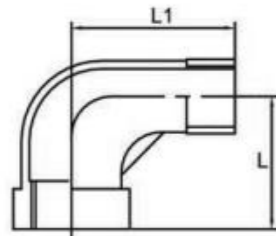




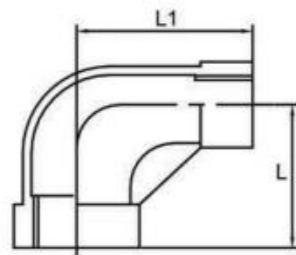
Size	L	Size	L
1/8"	17.0	1 1/4"	39.0
1/4"	18.5	1 1/2"	48.0
3/8"	22.5	2"	56.5
1/2"	26.5	2 1/2"	65.0
3/4"	30.5	3"	74.0
1"	36.0	4"	93.5



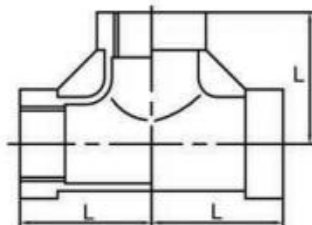
Size	L	Size	L
1/8"	17.7	1 1/4"	32.2
1/4"	18.6	1 1/2"	36.4
3/8"	20.5	2"	42.0
1/2"	22.5	2 1/2"	47.8
3/4"	25.0	3"	52.0
1"	28.2	4"	63.0



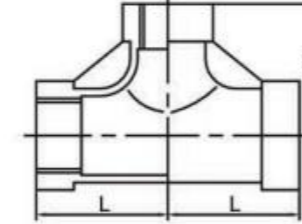
Size	L	L1	Size	L	L1
1/8"	18.0	23.5	1 1/4"	42.5	59.5
1/4"	22.0	29.5	1 1/2"	48.5	64.0
3/8"	23.0	33.0	2"	57.0	74.0
1/2"	27.0	36.5	2 1/2"	65.5	87.5
3/4"	31.5	42.5	3"	79.3	106.5
1"	37.5	52.0	4"	100.5	126.3



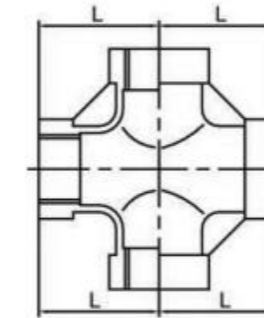
Size	L	L1	Size	L	L1
1/2"x3/4"	41.0	45.0	1"x1 1/2"	57.0	70.0
1/2"x1"	42.0	52.0	1/2"x2"	69.0	84.0
3/4"x1"	47.0	52.0	3/4"x2"	69.0	84.0
1/2"x1 1/4"	49.0	64.0	1"x2"	69.0	84.0
3/4"x1 1/4"	49.0	64.0	1 1/4"x2"	69.0	84.0
3/4"x1 1/2"	57.0	70.0	1 1/2"x2"	75.0	84.0



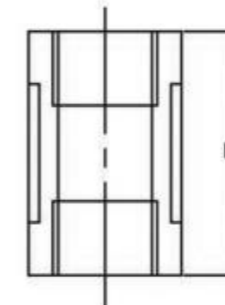
Size	L	Size	L
1/8"	17.4	1 1/4"	42.5
1/4"	19.0	1 1/2"	47.0
3/8"	22.5	2"	55.5
1/2"	26.5	2 1/2"	65.5
3/4"	31.0	3"	73.5
1"	36.5	4"	96.9



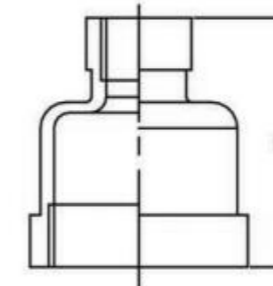
Size	L	L1	Size	L	L1
1/8"	18.0	23.5	1 1/4"	42.5	59.5
1/4"	22.0	29.5	1 1/2"	48.5	64.0
3/8"	23.0	33.0	2"	57.0	74.0
1/2"	27.0	36.5	2 1/2"	65.5	87.5
3/4"	31.5	42.5	3"	79.3	106.5
1"	37.5	52.0	4"	100.5	126.3



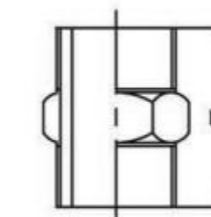
Size	L	Size	L
1/8"	17.0	1 1/4"	44.0
1/4"	18.8	1 1/2"	49.0
3/8"	24.5	2"	56.5
1/2"	28.0	2 1/2"	67.8
3/4"	33.4	3"	79.3
1"	38.3	4"	100.5



Size	L	Size	L
1/8"	24.5	1 1/4"	49.5
1/4"	25.0	1 1/2"	53.5
3/8"	30.0	2"	63.0
1/2"	35.0	2 1/2"	71.0
3/4"	39.0	3"	76.5
1"	44.0	4"	86.0



Size	L	Size	L
1/8"		1 1/4"	47.2
1/4"	25.0	1 1/2"	51.5
3/8"	28.0	2"	56.9
1/2"	33.0	2 1/2"	64.0
3/4"	37.0	3"	71.0
1"	40.0	4"	83.2



Size	L	Size	L
1/8"	28.5	1 1/4"	53.5
1/4"	32.0	1 1/2"	55.5
3/8"	37.0	2"	64.5
1/2"	41.5	2 1/2"	75.0
3/4"	44.5	3"	79.0
1"	49.2	4"	85.0



**SPFL-019**

**2-PC Spring Check Valve 800PSI**

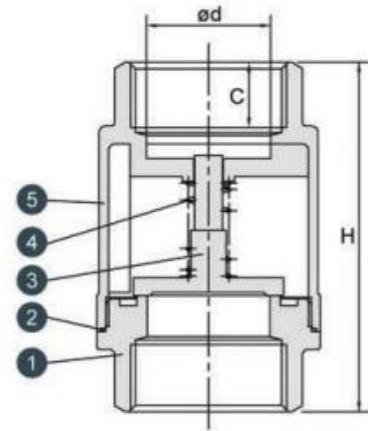
**STANDARD:**

- Investment Casting Body & Cap
- 800PSI PN40
- 2-PC Design Full Port
- All Kind of Thread Standard Available
- Design Standard:ASME B16.34
- Inspection Standard:API598

Technical Date			
Test Pressure	Shell Test	3.0	MPA
	Tightness Test	3.5	
	Gas-Tightness Test	0.8	
Max Working temperature		-40°C~+250°C	
Applicable Medium:Water,Oil,Gas,Acid			



**SPFL-019**



No.	PART NAME	MATERIAL	
1	Cap	CF8M	CF8
2	Gasket	CF8M	CF8
3	Disc	SS316	SS304
4	Spring	CF8M	CF8
5	Body	CF8M	CF8

Unit:mm

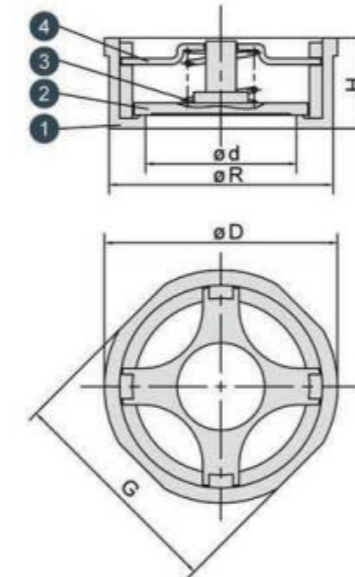
SIZE	d	H	C
1/4"	10	58	11
3/8"	10	58	11
1/2"	15	60	11
3/4"	20	68	14
1"	25	82	15.5
1 1/4"	32	92	19.5
1 1/2"	38	100	20
2"	48	109	21.5

**Wafer Spring Check Valve 800PSI PN40**

**STANDARD:**

- Investment Casting Body & Cap
- 800PSI PN40
- Flange Standard:DIN PN10-40 ANSI 150LB
- Design Standard:ASME B16.34
- Inspection Standard:API598

Technical Date			
Test Pressure	Shell Test	3.0	MPA
	Tightness Test	3.5	
	Gas-Tightness Test	0.8	
Max Working temperature		-40°C~+250°C	
Applicable Medium:Water,Oil,Gas,Acid			

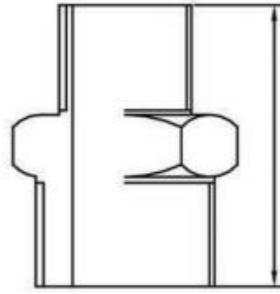


No.	PART NAME	MATERIAL	
1	Cap	CF8M	CF8
2	Gasket	CF8M	CF8
3	Disc	SS316	SS304
4	Spring	CF8M	CF8
5	Body	CF8M	CF8

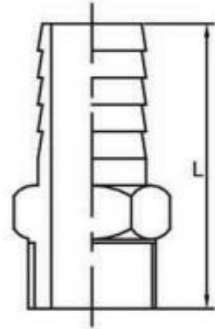
Unit:mm

SIZE	d	R	H	D	G
1/2"	15	43	16	53	45
3/4"	20	53	19	63	55
1"	25	57	22	73	65
1 1/4"	32	74	28	84	79
1 1/2"	38	82	32	94	89
2"	48	91	40	106	100
2 1/2"	62	112	46	127	118
3"	77	135	50	144	135

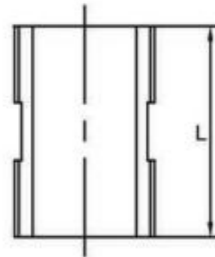




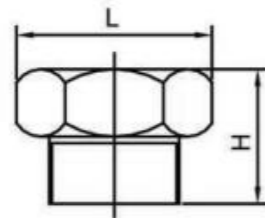
Size	L	Size	L
1/8"		1 1/4"	51.0
1/4"	31.0	1 1/2"	58.0
3/8"	37.0	2"	61.0
1/2"	42.0	2 1/2"	76.0
3/4"	46.4	3"	86.0
1"	50.5	4"	110.0



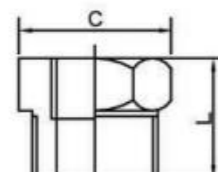
Size	L	Size	L
1/8"	35.0	1 1/4"	86.5
1/4"	47.0	1 1/2"	91.0
3/8"	51.0	2"	108.0
1/2"	60.5	2 1/2"	116.5
3/4"	69.5	3"	128.0
1"	81.5	4"	138.0



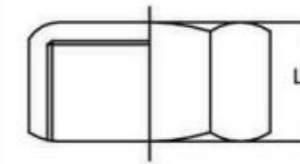
Size	L	Size	L
1/8"	40.0	1 1/4"	82.4
1/4"	41.2	1 1/2"	82.4
3/8"	41.5	2"	102.5
1/2"	61.8	2 1/2"	103.0
3/4"	62.0	3"	122.0
1"	62.0	4"	122.0



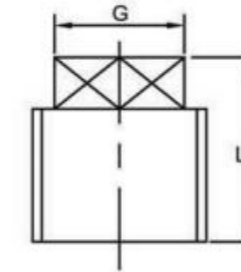
Size	L	H	Size	L	H
1/8"	16.8	17.7	1 1/4"	45.0	31.0
1/4"	16.8	17.7	1 1/2"	52.0	32.0
3/8"	21.5	19.5	2"	63.0	36.0
1/2"	25.2	24.0	2 1/2"	82.0	42.0
3/4"	32.0	26.0	3"	95.0	45.0
1"	38.0	30.5	4"	116.0	53.0



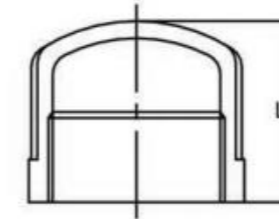
Size	L	C	Size	L	C
1/8"			1 1/4"	30.0	46.5
1/4"	19.5	17.5	1 1/2"	31.0	53.5
3/8"	21.0	21.5	2"	35.0	67.0
1/2"	24.0	26.5	2 1/2"	42.5	82.0
3/4"	25.5	32.0	3"	45.0	95.0
1"	26.5	38.5	4"	53.5	116.5



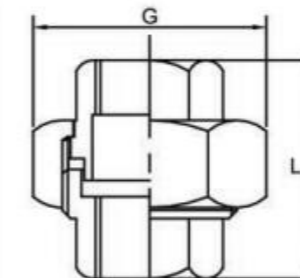
Size	L	Size	L
1/8"	17.4	1 1/4"	28.5
1/4"	17.4	1 1/2"	30.0
3/8"	17.8	2"	36.5
1/2"	19.8	2 1/2"	48.0
3/4"	21.5	3"	52.0
1"	25.3	4"	55.0



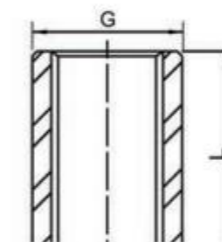
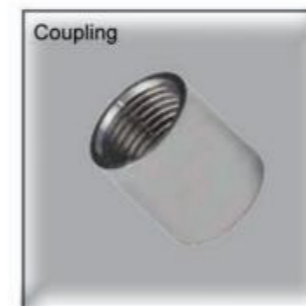
Size	L	G	Size	L	G
1/8"	15.5	7.0	1 1/4"	34.0	23.0
1/4"	16.0	9.0	1 1/2"	34.0	28.0
3/8"	20.0	12.0	2"	43.0	34.0
1/2"	21.0	14.5	2 1/2"	46.5	38.0
3/4"	25.0	17.5	3"	54.0	38.0
1"	30.0	18.5	4"	58.0	58.0



Size	L	Size	L
1/8"	14.6	1 1/4"	28.5
1/4"	15.4	1 1/2"	30.3
3/8"	17.8	2"	36.4
1/2"	20.8	2 1/2"	42.2
3/4"	23.5	3"	43.0
1"	25.5	4"	54.5



Size	L	G	Size	L	G
1/8"	25.0	27.0	1 1/4"	52.0	69.0
1/4"	30.5	33.0	1 1/2"	55.5	75.0
3/8"	33.5	36.5	2"	63.5	92.5
1/2"	37.0	40.0	2 1/2"	76.5	113.5
3/4"	38.5	49.5	3"	81.0	126.0
1"	47.0	56.0	4"	95.0	154.0



Size	L	G	Size	L	G
1/8"	19.5	14.0	1 1/4"	47.5	48.0
1/4"	23.5	17.0	1 1/2"	52.5	54.0
3/8"	27.0	20.0	2"	52.5	67.0
1/2"	33.5	25.5	2 1/2"	66.0	81.0
3/4"	35.5	32.0	3"	70.0	94.5
1"	43.0	39.0	4"	82.0	121.5



# 展望未来，豪情满怀

Looking to the future, swell with pride and hope

大鹏一日随风起，扶摇直上九万里。

鹏程万里，不仅要有鸿鹄之志，更需飞翔之“资”！

何谓飞翔之“资”？

那是一种天赋，更是多年砥砺的一种内在超越精神。

正如雄鹰需千百次练习才能羽翼丰满，自由翱翔。

今天，志达已成长为中国管件业巨人；

我们二十年励精图治悉心打造的“志达”品牌，

也以其独特品牌理念和卓越的品牌价值，

成为新志达继续搏击苍穹的飞翔之资！

In the day of rising wind, the roc flies upward the wind.

To have the bright future like the roc, only with high aspirations is not enough,  
the "capital" of flying is more important.

What is the meaning of "capital"?

It is the endowed gift, an internal spirit to keep surpassing by many years' encourage.

After practicing thousands of times of flying, can the eagle be soaring freely with sturdy wings.

Today, JINDIA has grown up to be the giant among electronic Pipe Fittings Industry in China.

The "JINDIA" brand, made by our efforts with devoted attention in the past 20 years,

is coming to be New JINDIA's "capital" of soaring to fight in the welkin  
unceasingly with its unique brand idea and remarkable brand value.

## With Steady Development, To Build A Leading Valve Brand In China!

稳健发展

打造中国球阀行业的领导品牌！



SUPERIOR

浙江深浦法兰管件有限公司

销售手机+86 - 13758747117 (陈经理) 微信同号

+86 -13566246003 (李经理) 微信同号

销售传真+86 - 577 -85221916

国内邮箱: chenzhong24@126.com

国际邮箱: monica6003@163.com jameschen324@gmail.com

QQ: 232510383 陈经理

QQ: 546612882 李经理

工厂地址: 浙江省温州市龙湾区永中街道天中路2256-2260号

销售二部: 浙江省温州市龙湾区天河街道庄泉东路153弄-1号

网站: www.zjspu.com

邮编: 325025

ZHEJIANG SUPERIOR FLANGE&PIPE FITTINGS CO.,LTD

M.b :+86 - 13758747117 (James)

+86 -13566246003 (Monica)

Fax: +86 - 577 -85221916

Email: monica6003@163.com jameschen324@gmail.com

Skype: Monicali87

Wechat: +86 - 13758747117 (James)

+86 -13566246003 (Monica)

QQ: 232510383

QQ: 546612882

Web: www.zjspu.com

ADD: NO.2256-2260 Tianzhong Road, Yongzhong Street, Lowan District,  
Wenzhou City, Zhejiang Province, China.

PC:325025

